

TTS721 Full Height Turnstile

Semi Auto, Stainless Steel



Date: 1 October 2018

General Description

MAG TTS721 semi auto stainless steel full-height turnstile can achieve maximum access security control. Users are not able to crawl underneath or climb over to gain unauthorized access into premise. Full height turnstile can effective control single pass through each time.

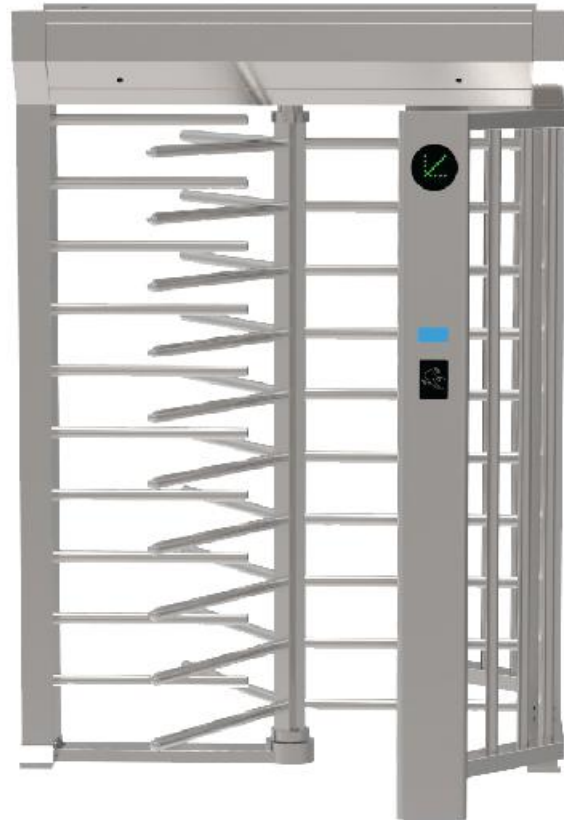
Semi auto turnstile operation is based on solenoid lock that allows blocking rotation direction.

TTS721 is built with high quality material to withstand outdoor usage for years to come.

Application

MAG TTS721 is suitable for indoor and outdoor application. They are optimized economical solution for factory, colleges, commercial building, stadium, game park, prison and etc.

It is not suitable installed near sea side.



**Picture shown is for illustration purpose only. Actual product may vary due to product enhancement.

Features

The housing is made of quality stainless steel, and all the internal parts are with antirust and antiseptic treatment to achieve high level of durability.

Turnstile can be configured to be bi-directional or uni-directional.

Easy integration with any third party access control or ticketing via dry contact interface. TTS721 will unlock and allow arm rotation upon receiving valid dry contact from electronic access system.

When the arm is locked, it will be able to sustain resistant force 70kg to restrain from unauthorized force open attempt.

Anti-tailgating. Smart lock mechanism uses limit switch to detect rotation and effectively re-lock back after arm has been rotated more than half. Therefore current user can only finish the rotation to pass through or reverse the rotation to exit. Either way, it will not allow second person to pass through again.

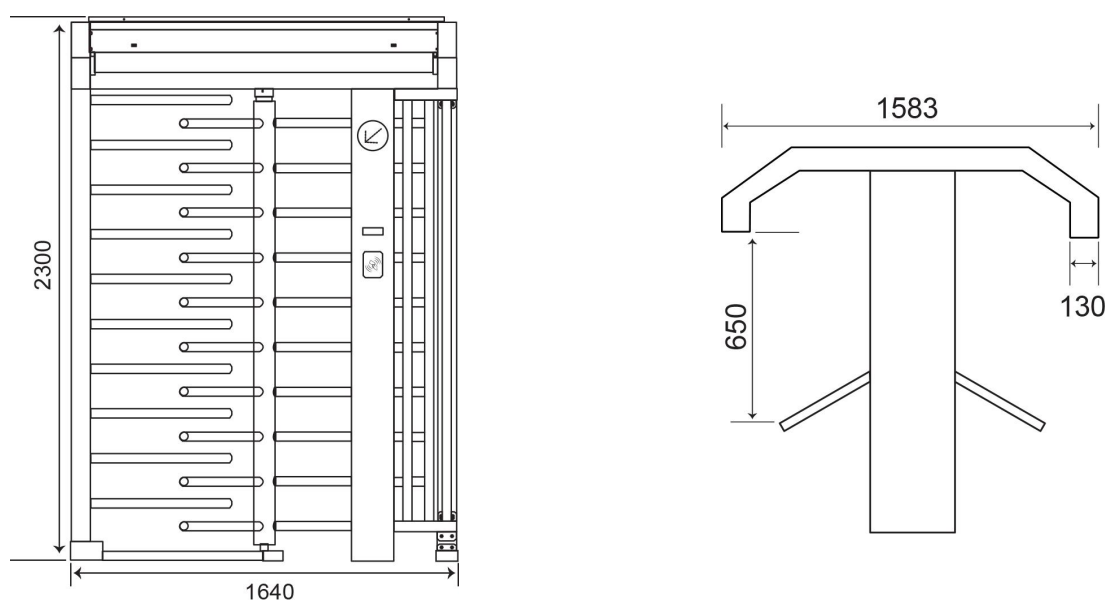
During power failure, the system will lock the arms to prevent unauthorized person to enter premises.

Memory function. Memory will record the sequence of passing (same or opposite direction). Passing request will be executed according to the sequence recorded.

Technical Parameters

Power Supply Input	AC 220V 50HZ
Power Voltage	DC 24V / 50W
Open Signal	Passive signals (relay signals, dry contact signals)
Passage Width	≤650mm
Response Time	≤0.2s
Optimal Pass Speed	25-30 person/min
Housing / Arm	304 Stainless Steel
Arm Rotation Angle	90/120 degree
Working Environment	Indoor and outdoor
Working Temperature	-20°C~+70°C
IP Rating	IP 52
Operations time	≥5 million times

Dimension



Structure Parameter

Housing material:	304 grade stainless steel
Housing dimension:	1640 x 1583 x 2300 (mm)
Surface treatment:	brushed finish
Arm's material:	304 grade stainless steel
Lane width:	642mm (default)
Arm's OD:	38 mm (default) 48 mm (max)

Disclaimers

Applications that are described herein for any of these products are for illustrative purposes only. Drawing does not necessary reflect exact assembly/installation. MAG makes no representation or warranty that such applications will be suitable for the specified use without further testing or modification.

MAG reserves the right to make changes, without notice, in the products, including circuits, standard cells, and/or software, described or contained herein in order to improve design and/or performance. MAG assumes no responsibility or liability for the use of any of these products, conveys no license or title under any patent, copyright, or masks work right to these products, and makes no representations or warranties that these products are free from patent, copyright, or mask work right infringement, unless otherwise specified.

© MAG. All rights reserved.