

POWER SURGE PROTECTOR

TW-ID4-2C2/320(T)



APPLICATIONS:

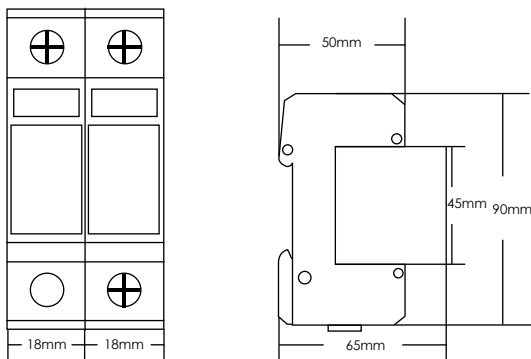
- C class Surge Protective Device for AC Power System.
- Sensitive electronic equipment
- Telecom centers
- Automatic control centers
- Intelligent buildings
- Industrial enterprises
- Medical institutes

FEATURES:

- DIN rail mounting for easy installation
- Plug connectors for quick and easy connection or rewiring
- 40kA maximum surge current
- Thermal disconnect device
- Status indicators visually verify protection level

ITEM NO.	TW-ID4-2C2/320(T)
Electrical Parameter	
Nominal working voltage Un	50/60Hz 240V
Max. continuous operating voltage Uc	320VAC
Nominal discharge current (8/20 μ s) In	20kA
Max. discharge current (8/20 μ s) Imax	40kA
Protection level @20kA , 8/20 μ s Up	1300V
Response time tA	25ns
Protection model	L/N-PE
Mechanical characteristics	
Dimension	90 (H) \times 36 (W) \times 65(L)mm
Weight per unit	287g
Mounting	35mm DIN rail
Connecting diameter	\geq 10mm ²
IP code	IP20
Working conditions Temperature:	-40 to 80°C, Relative humidity: \leq 95%
Standards Compliance	IEC61643-1, UL94-V0, RoHS

Dimension



Schematic Diagram

