

Automatic & Intelligent  
Electromechanical  
**BARRIER GATE SYSTEM**  
RGB-503 / RGB-503FD



The barrier gate series is high quality machines and deeply welcome by the users. Unique design and machining for the barrier gate machine core makes it in low fault probability and long working life. Multifunctional electronic control mainboard makes it can be integrated to security system etc. The series products are suitable for parking lot, estate access, gated residential, commercial and industrial application.

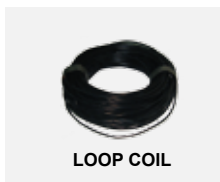
**Accessories**



3CH PUSH BUTTON



LOOP DETECTOR



LOOP COIL



GOOSE NECK



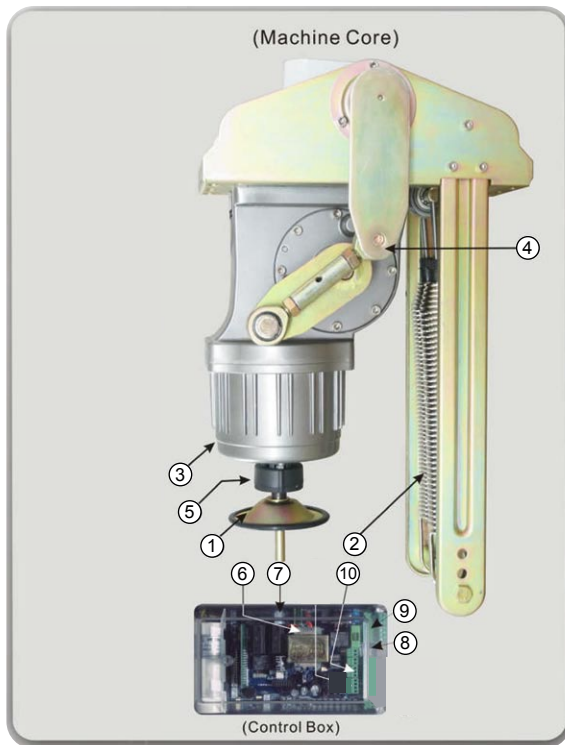
TRAFFIC LIGHT



PHOTO CELL

## Functions & Features

1. Wheel manual release. In case of power off, rotate the wheel manual release on the bottom of the motor to raise the boom manually. When power on, the motor will work normally.
2. Machine core with strong and double springs, make the machine core works more steadily.
3. Die-casting aluminium alloy motor, precise and good at thermal radiation.
4. Crank and rod structure makes the boom run placidly.
5. Double safety limit switches (photo electricity limit switch and motor memory sensor)
6. Reserving on obstacle
7. Auto-closing.
8. Traffic light interface (AC220V, can support lamp with 40W)
9. Wire control (switch signal)
10. Provide limit state signal to parking system.
11. Boom with protective rubber band (optional)



### Double-Guaranteed

Life-span of products is twice prolonger because of the pioneer double limits design.



### Balanced

Compressed-spring and shaking-reduction technology are first used to lower the wallop and smooth the working.

## Specifications

ITEM / MODEL	RGB-503	RGB-503FD
Running time	3 sec	3 sec
Boom type	Straight	90° Folding
Arm length	3.0 Meter (max 4.5 Meter)	3.0 Meter (Max 4.0 Meter)
Supply Voltage	AC230V	
Frequency	50HZ	
Motor rated Power	120W	
Power Consumption	80W	
Motor rated Speed	680 rpm	
Operation Lifespan	> 2.5 Million times	
Operation Temperature	-40°C ~ +75°C	
Housing Dimension(mm)	280 (L) x 330 (W) x 940 (H)	
Standard Colour	Orange	
Protection Grade	IP44	