

# XNP-6250RH

2M H.265 25x IR PTZ Camera

Network



FC | | CE | EAC

## Key Features

- Max. 2megapixel (1920 x 1080) resolution
- 4.44 ~ 111mm (Optical 25x) lens
- Max. IR viewable length : 200m (656ft)
- Day & Night (ICR), WDR (150dB), DIS (Built-in gyro sensor)
- Intelligent Video / Audio Analytics, Shock detection
- Azimuth display (Cardinal & intermediate directions)
- Multiple streaming, WiseStream II support
- H.265, H.264, MJPEG codec support
- MicroSD / SDHC / SDXC memory 2 slots (Up to 512 GB)
- IP66, IK10

## Compatible Accessories (Optional)



SBP-303HF



SBP-300WM1



SBP-300WM



SBP-300PM



SBP-300CM



SBP-300LM



SBP-300KM



SBP-300NB



SBP-300B

Video	
Imaging Device	1/2.8" CMOS
Resolution	1920x1080, 1280x1024, 1280x960, 1280x720, 1024x768, 800x600, 800x448, 720x576, 720x480, 640x480, 640x360, 320x240
Max. Framerate	H.265/H.264: Max. 60fps/50fps(60Hz/50Hz) MJPEG: Max. 30fps/25fps(60Hz/50Hz)
Min. Illumination	Color: 0.05Lux(F1.6, 1/30sec) BW: 0Lux(IR LED On)
Video Out	CVBS: 1.0 Vp-p / 75Ω composite, 720x480(N), 720x576(P) for installation
Lens	
Focal Length (Zoom Ratio)	4.44~111mm(25x) zoom
Max. Aperture Ratio	F1.6(Wide)~F3.9(Tele)
Angular Field of View	H: 61.8°(Wide)~2.84°(Tele) / V: 36.2°(Wide)~1.60°(Tele)
Min. Object Distance	Wide: 1.5m(4.92ft), Tele: 2m(6.56ft)
Focus Control	Oneshot AF
Lens Type	DC auto iris
Pan / Tilt / Rotate	
Pan Range	360° Endless
Pan Speed	Preset: 400°/sec, Manual: 0.024°/sec~250°/sec
Tilt Range	95°(-5°~90°)
Tilt Speed	Preset: 250°/sec, Manual: 0.024°/sec~250°/sec
Sequence	Preset(300ea), Swing, Group(6ea), Trace, Tour, Auto Run, Schedule
Preset Accuracy	±0.2°
Operational	
Camera Title	Displayed up to 85 characters
Direction Indicator	Support
Day & Night	Auto(ICR)
Backlight Compensation	BLC, HLC, WDR, SDR
Wide Dynamic Range	150dB
Digital Noise Reduction	SSNR V
Digital Image Stabilization	Support(built-in gyro sensor)
Defog	Support
Motion Detection	8ea, 8point polygonal zones
Privacy Masking	32ea, rectangular Support - Color: Grey/Green/Red/Blue/Black/White - Mosaic
Gain Control	Low / Middle / High
White Balance	ATW / AWC / Manual / Indoor / Outdoor
Electronic Shutter Speed	Minimum / Maximum / Anti flicker (2~1/12,000sec)
Video Rotation	Flip, Mirror

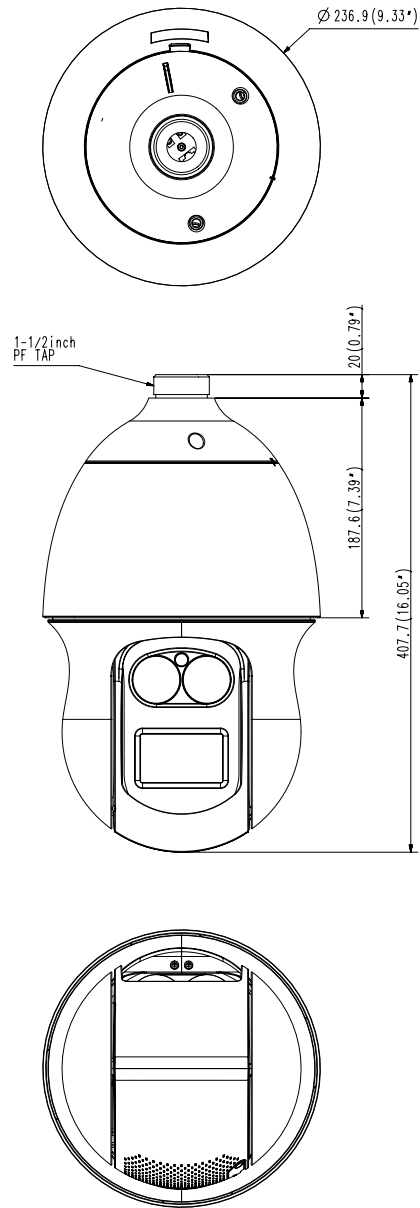
<b>Analytics</b>	Directional detection, Fog detection, Face detection, Motion detection, Appear/Disappear, Enter/Exit, Loitering, Tampering, Virtual line, Audio detection, Sound classification, Shock detection
<b>Serial Interface</b>	RS-485(Samsung-T, Pelco-D/P, Panasonic, Bosch, AD, GE, Vicon, Honeywell)
<b>Alarm I/O</b>	Input 4ea / Output 2ea
<b>Alarm Triggers</b>	Analytics, Network disconnect, Alarm input
<b>Alarm Events</b>	File upload via FTP and e-mail Notification via e-mail SD/SDHC/SDXC or NAS recording at event triggers Alarm output PTZ Preset
<b>Audio In</b>	Selectable(mic in/line in) Supply voltage: 2.5VDC(4mA), Input impedance: 2K Ohm
<b>Audio Out</b>	Line out, Max.output level: 1Vrms
<b>IR Viewable Length</b>	200m(656.17ft)
<b>Auto Tracking</b>	Support
<b>Network</b>	
<b>Ethernet</b>	RJ-45(10/100BASE-T), SFP(Optional)
<b>Video Compression</b>	H.265/H.264,MJPEG
<b>Audio Compression</b>	G.711 u-law /G.726 Selectable G.726(ADPCM) 8KHz, G.711 8KHz G.726: 16Kbps, 24Kbps, 32Kbps, 40Kbps AAC-LC: 48Kbps at 16KHz
<b>Smart Codec</b>	Manual(5ea area), WiseStream II
<b>Bitrate Control</b>	H.264/H.265: CBR or VBR MJPEG: VBR
<b>Streaming</b>	Unicast(20 users) / Multicast (128 user) Multiple streaming(Up to 10 profiles)
<b>Protocol</b>	IPv4, IPv6, TCP/IP, UDP/IP, RTP(UDP), RTP(TCP), RTCP,RTSP, NTP, HTTP, HTTPS, SSL/TLS, DHCP, FTP, SMTP, ICMP, IGMP, SNMPv1/v2c/v3(MIB-2), ARP, DNS, DDNS, QoS, PIM-SM, UPnP, Bonjour,LLDP, SRTP
<b>Security</b>	HTTPS(SSL) Login Authentication Digest Login Authentication IP Address Filtering User access log 802.1X Authentication(EAP-TLS, EAP-LEAP)
<b>Application Programming Interface</b>	ONVIF Profile S/G/T SUNAPI(HTTP API) Wisenet open platform
<b>General</b>	
<b>Webpage Language</b>	English, Korean, Chinese, French, Italian, Spanish, German, Japanese, Russian, Swedish,, Portuguese, Czech, Polish, Turkish, Dutch, Hungarian, Greek
<b>Environmental &amp; Electrical</b>	
<b>Operating Temperature / Humidity</b>	24VAC : -50°C~+55°C (-58°F ~ +131°F) / Less than 90% RH HPoE : -40°C~+55°C (-40°F ~ +131°F) / Less than 90% RH * Start up should be done at above -35°C / Heater support
<b>Storage Temperature / Humidity</b>	-50°C~+60°C (-58°F~+140°F) / Less than 90% RH

<b>Certification</b>	IP66, IK10
<b>Input Voltage</b>	24VAC, HPoE(IEEE802.3bt, Class7)
<b>Power Consumption</b>	24VAC: Max. 83W (typical : 30W) HPoE : Max. 51W (typical : 30W)

#### Mechanical

<b>Color / Material</b>	Body: Ivory / Plastic, Head: Black / Plastic
<b>Product Dimensions / Weight</b>	Ø236.9x407.7mm(9.33x16.05"), 6.8Kg(14.99 lb)

- The latest product information / specification can be found at [hanwha-security.com](http://hanwha-security.com)
- Design and specifications are subject to change without notice.
- Wisenet is the proprietary brand of Hanwha Techwin, formerly known as Samsung Techwin.



단위 :mm(인치)

