

SCO-6025R

2MP Analog IR Bullet Camera

Analog



FC | UL LISTED | CE | EAC

Key Features

- Full HD (1,920 x 1,080) Resolution
- 0.11Lux@F1.6 (Color), 0Lux (B/W : IR LED on)
- Built-in 4mm fixed lens
- Day & Night (ICR)
- SSNRIV, Motion detection
- IR viewable length 30m (98.42ft)
- Transmission distance max.500m

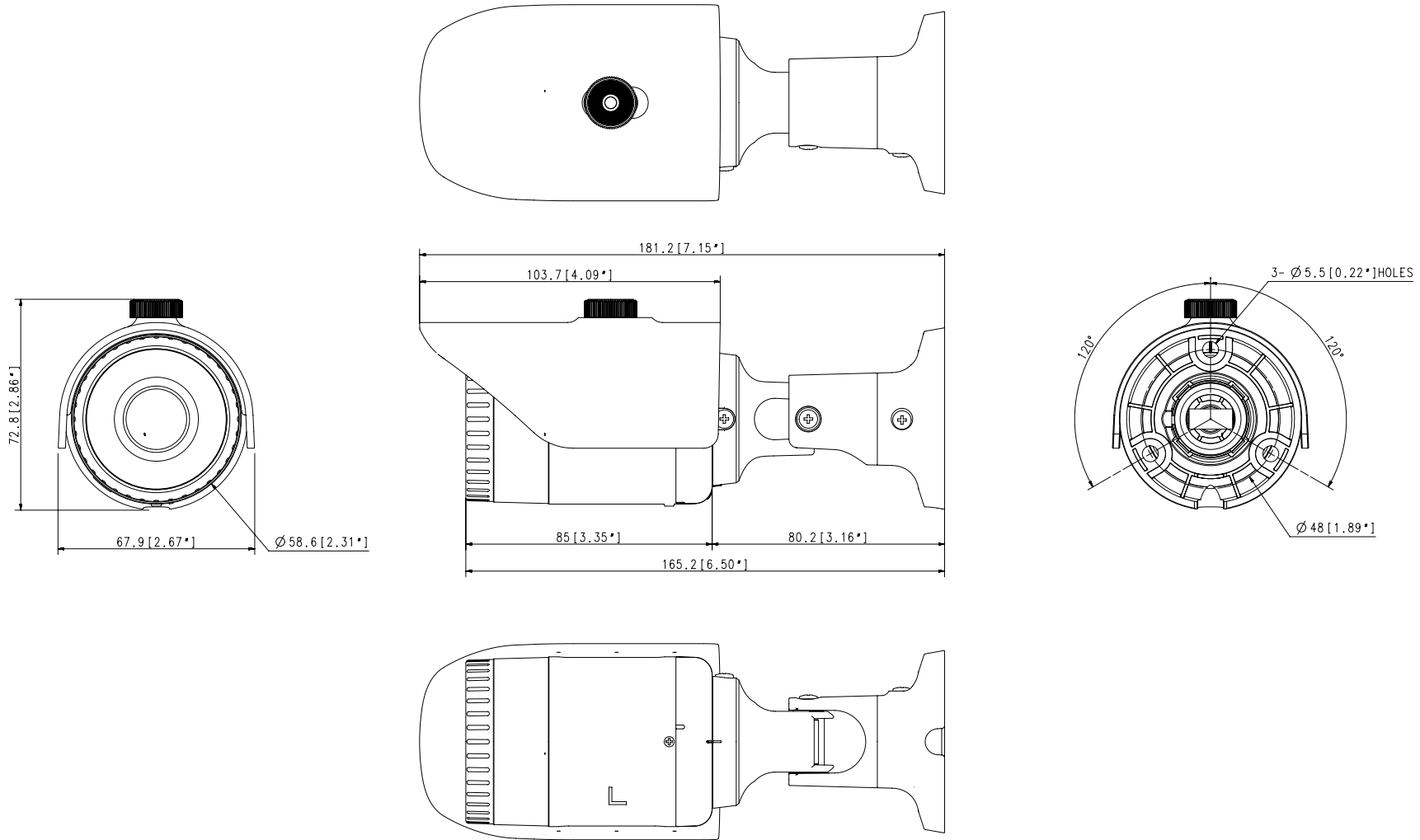
Video	
Imaging Device	1/2.8" CMOS
Resolution	1920x1080
Max. Framerate	30fps/25fps(60Hz/50Hz)
Min. Illumination	Color: 0.11Lux (F1.6, 1/30sec) BW: 0Lux(IR LED on)
Video Out	BNC(AHD 2MP,CVBS)
Video Transmission Distance	500m(5C2V Coaxial Cable)
Lens	
Focal Length (Zoom Ratio)	4mm fixed
Max. Aperture Ratio	F1.6
Angular Field of View	H : 87.6°, V : 46.4°, D : 104.5°
Min. Object Distance	0.5m(1.64ft)
Lens Type	DC auto iris
Operational	
Camera Title	Displayed up to 15 characters
Day & Night	Auto(ICR)
Backlight Compensation	BLC, HLC, DWDR
Digital Noise Reduction	SSNRIV
Defog	Support
Motion Detection	4ea
Privacy Masking	8ea, rectangular zones
Gain Control	Low / Middle / High / Very High
White Balance	ATW / AWC / Manual / Indoor / Outdoor
Electronic Shutter Speed	1 ~ 1/12,000sec
Video Rotation	H-REV / V-REV / HV-REV
Analytics	Motion detection
Alarm I/O	Output 1ea
Alarm Triggers	Analytics
Alarm Events	Alarm output
IR Viewable Length	30m(98.42ft)
Coaxial Protocol	ACP(AHD Coax Protocol) CVBS: Pelco-C(Coaxitron)
Environmental & Electrical	
Operating Temperature / Humidity	-30°C ~ +55°C (+14°F ~ +131°F) / Less than 90% RH * Start up should be done at above -10°C
Certification	IP66
Input Voltage	DC 12V
Power Consumption	DC 12V/0.45A (Max 5.4W)

Mechanical

Color / Material	Dark gray / Plastic
Product Dimensions / Weight	Ø58.6 x 165.2 mm (Ø 2.31" x 6.50") without sunshield, 279g(0.62 lb)
DORI (EN62676-4 standard)	
Detect (25PPM/ 8PPF)	40m(131.38ft)
Observe (63PPM/ 19PPF)	16m(52.55ft)
Recognize (125PPM/ 38PPF)	8.0m(26.28ft)
Identify (250PPM/ 76PPF)	4.0m(13.14ft)

- The latest product information / specification can be found at hanwha-security.com
- Design and specifications are subject to change without notice.
- Wisenet is the proprietary brand of Hanwha Techwin, formerly known as Samsung Techwin.

NO	PART NAME	CODE NO.	MATERIAL	Q'TY	REMARK
1	APPEARANCE HCO-6020R	-	MATERIAL	1	REMARK



STANDARD TOLERANCE

DIV	h1	h2	h3	h4	h5
0-16	+0.05	+0.1	+0.1	+0.2	+0.3
16-63	+0.05	+0.1	+0.2	+0.3	+0.4
63-250	+0.1	+0.2	+0.3	+0.4	+0.4
250-1000	+0.2	+0.3	+0.4	+0.5	+0.6

CHANGE

UNIT	mm	DESIGN	CHECK	APPROVAL	PART NAME	APPEARANCE HCO-6020R
SCALE	1/1	Mu Yi	-	-	MODEL NAME	HCO-6020R
		16.01.08	-	-	CODE NO.	-