

SCD-6025R

2MP Analog IR Dome Camera

Analog



FC | UL LISTED | CE | ENEC

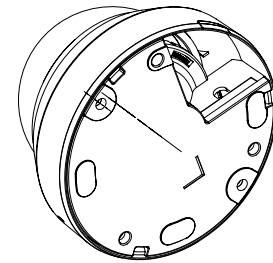
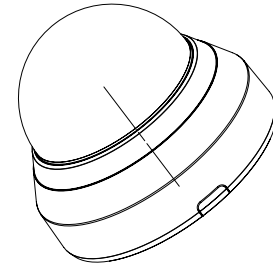
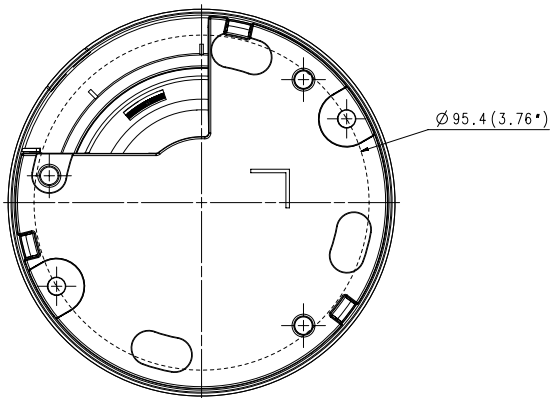
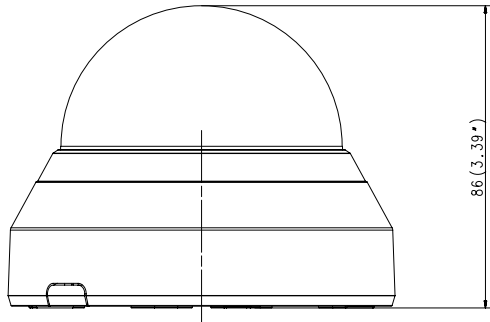
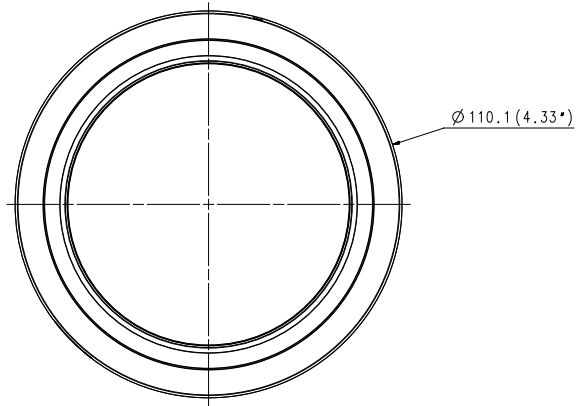
Key Features

- Full HD (1,920 x 1,080) Resolution
- 0.17Lux@F1.6 (Color), 0Lux (B/W : IR LED on)
- Built-in 4mm fixed lens
- Day & Night (ICR)
- SSNRIV, Motion detection
- IR viewable length 20m (65.62ft)
- Transmission distance max.500m

Video	
Imaging Device	1/2.8" CMOS
Resolution	1920x1080
Max. Framerate	30fps/25fps(60Hz/50Hz)
Min. Illumination	Color: 0.17Lux (F1.6, 1/30sec) BW: 0Lux(IR LED on)
Video Out	BNC(AHD 2MP,CVBS)
Video Transmission Distance	500m(5C2V Coaxial Cable)
Lens	
Focal Length (Zoom Ratio)	4mm fixed
Max. Aperture Ratio	F1.6
Angular Field of View	H : 87.6°, V : 46.4°, D : 104.5°
Min. Object Distance	0.5m(1.64ft)
Lens Type	DC auto iris
Pan / Tilt / Rotate	
Pan / Tilt / Rotate Range	0° ~ 350° / 0° ~ 67° / 0° ~ 355°
Operational	
Camera Title	Displayed up to 15 characters
Day & Night	Auto(ICR)
Backlight Compensation	BLC, HLC, DWDR
Digital Noise Reduction	SSNRIV
Defog	Support
Motion Detection	4ea
Privacy Masking	8ea, rectangular zones
Gain Control	Low / Middle / High / Very High
White Balance	ATW / AWC / Manual / Indoor / Outdoor
Electronic Shutter Speed	1 ~ 1/12,000sec
Video Rotation	H-REV / V-REV / HV-REV
Analytics	Motion detection
Alarm I/O	Output 1ea
Alarm Triggers	Analytics
Alarm Events	Alarm output
IR Viewable Length	20m (65.62ft)
Coaxial Protocol	ACP(AHD Coax Protocol) CVBS: Pelco-C(Coaxitron)
Environmental & Electrical	
Operating Temperature / Humidity	-10°C ~ +55°C (+14°F ~ +131°F) / Less than 90% RH
Input Voltage	DC 12V

Power Consumption	DC 12V/0.45A (Max 5.4W)
Mechanical	
Color / Material	Ivory / Plastic
Product Dimensions / Weight	Ø110 x 86mm(4.33 x 3.39"), 227g(0.50 lb)
Hanging Mount (Dome)	SBP-300HM7
DORI (EN62676-4 standard)	
Detect (25PPM/ 8PPF)	40m(131.38ft)
Observe (63PPM/ 19PPF)	16m(52.55ft)
Recognize (125PPM/ 38PPF)	8.0m(26.28ft)
Identify (250PPM/ 76PPF)	4.0m(13.14ft)

- The latest product information / specification can be found at hanwha-security.com
- Design and specifications are subject to change without notice.
- Wisenet is the proprietary brand of Hanwha Techwin, formerly known as Samsung Techwin.



SCD-6023R
Appearance Drawing
Unit:mm(inch)