

QND-7080R

4M H.265 IR Dome Camera

Network



FC | CE | EAC

Key Features

- Max. 4M resolution
- 2.8 ~ 12mm (4.3x) motorized varifocal lens
- Max. 20fps@4M resolutions, Max. 30fps@2M resolutions
- H.265, H.264, MJPEG codec supported
- Motion detection, Tampering, Defocus detection
- microSD (128GB) memory slot, PoE / 12V DC
- IR viewable length 20m
- Hallway view support
- LDC support (Lens Distortion Correction)

Compatible Accessories (Optional)



SBP-122HM



SBD-120GP



SHD-3000F2



SHD-1198FW



SPB-IND72



SPG-IND72B



SBP-120WM



SBP-390WM2



SBP-300WM1



SBP-300WM



SBP-300KM



SBP-300LM



SBP-300NB



SBP-300CM

Video	
Imaging Device	1/3" 4MP CMOS
Resolution	2592x1520, 2560x1440, 2304x1296, 1920x1080, 1280x1024, 1280x960, 1280x720, 1024x768, 800x600, 800x448, 720x576, 720x480, 640x480, 640x360, 320x240
Max. Framerate	H.265/H.264: Max. 20fps@4MP, Max. 30fps/25fps(60Hz/50Hz) 2MP, all resolution, MJPEG: Max 15fps/12fps(60Hz/50Hz)
Min. Illumination	Color: 0.15Lux(F1.4, 1/30sec) BW: 0Lux(IR LED on)
Lens	
Focal Length (Zoom Ratio)	2.8~12mm(4.3x) motorized varifocal
Max. Aperture Ratio	F1.4(Wide)~F3.6(Tele)
Angular Field of View	H: 109.7°(Wide)~26°(Tele) / V: 60.8°(Wide)~15.2°(Tele) / H: 131.3°(Wide)~30.1°(Tele)
Focus Control	Simple focus
Lens Type	DC auto iris
Pan / Tilt / Rotate	
Pan / Tilt / Rotate Range	0°~350° / 0°~67° / 0°~355°
Operational	
Camera Title	Displayed up to 20 characters per line(Max.5 lines)
Day & Night	Auto(ICR)
Backlight Compensation	BLC, WDR, SDR
Wide Dynamic Range	120dB
Digital Noise Reduction	SSNR
Motion Detection	4ea, polygonal zones
Privacy Masking	6ea, rectangular zones
Gain Control	Low / Middle / High
White Balance	ATW / AWC / Manual / Indoor / Outdoor
LDC	Support
Electronic Shutter Speed	Minimum / Maximum / Anti flicker
Video Rotation	Flip, Mirror, Hallway view(90°/270°)
Analytics	Defocus detection, Motion detection, Tampering
Alarm I/O	Input 1ea / Output 1ea
Alarm Triggers	Analytics, Network disconnect, Alarm input
Alarm Events	File upload via FTP and e-mail Notification via e-mail SD/SDHC/SDXC or NAS recording at event triggers Alarm output
Audio In	Built-in mic
IR Viewable Length	20m(65.62ft)
Network	
Ethernet	RJ-45(10/100BASE-T)

Video Compression	H.265/H.264, MJPEG
Audio Compression	G.711 u-law /G.726 Selectable G.726(ADPCM) 8KHz, G.711 8KHz G.726: 16Kbps, 24Kbps, 32Kbps, 40Kbps
Smart Codec	WiseStream I
Bitrate Control	H.264/H.265: CBR or VBR MJPEG: VBR
Streaming	Unicast(6 users) / Multicast Multiple streaming(Up to 3 profiles)
Protocol	IPv4, IPv6, TCP/IP, UDP/IP, RTP(UDP), RTP(TCP), RTCP, RTSP, NTP, HTTP, HTTPS, SSL/TLS, DHCP, FTP, SMTP, ICMP, IGMP, SNMPv1/v2c/v3(MIB-2), ARP, DNS, DDNS, QoS, PIM-SM, UPnP, Bonjour
Security	HTTPS(SSL) Login Authentication Digest Login Authentication IP Address Filtering User access log 802.1X Authentication(EAP-TLS, EAP-LEAP)
Application Programming Interface	ONVIF Profile S/G SUNAPI(HTTP API)

General

Webpage Language	English, Korean, Chinese, French, Italian, Spanish, German, Japanese, Russian, Swedish, Portuguese, Czech, Polish, Turkish, Dutch, Hungarian, Greek
Web Viewer	Supported OS: Windows 7, 8.1, 10, Mac OS X 10.10, 10.11, 10.12 Recommended Browser: Google Chrome Supported Browser: MS Explorer11, MS Edge, Mozilla Firefox(Windows 64bit only), Apple Safari(Mac OS X only)
Edge Storage	Micro SD/SDHC/SDXC 1slot 128GB
Memory	512MB RAM, 256MB Flash

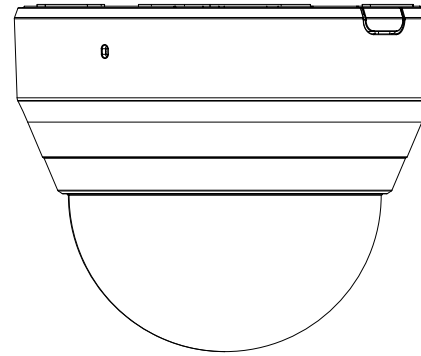
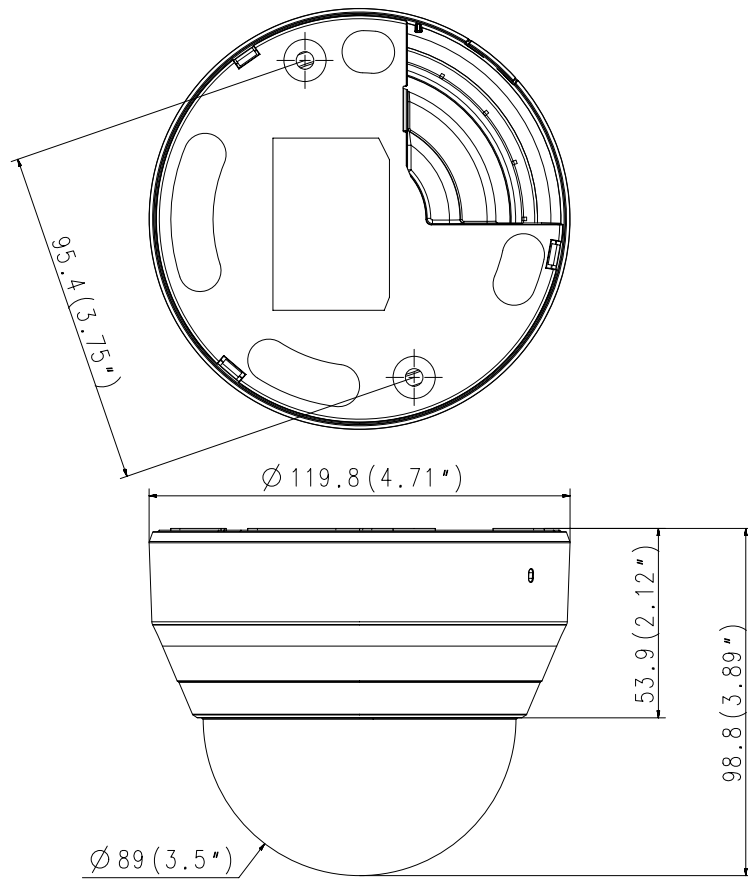
Environmental & Electrical

Operating Temperature / Humidity	-10°C ~ +55°C(14°F ~ +131°F) / Less than 90% RH
Storage Temperature / Humidity	-30°C ~ +60°C(-22°F ~ +140°F) / Less than 90% RH
Input Voltage	PoE(IEEE802.3af, Class3), 12VDC
Power Consumption	PoE: Max 7.20W 12VDC: Max 6.40W

Mechanical

Color / Material	Ivory / Plastic
Product Dimensions / Weight	Ø119.8x98.8mm(Ø4.72x3.89"), 355g(0.78 lb)

- The latest product information / specification can be found at hanwha-security.com
- Design and specifications are subject to change without notice.
- Wisenet is the proprietary brand of Hanwha Techwin, formerly known as Samsung Techwin.



Unit:mm(inch)

