

HCP-6320H

1080p Analog HD 32x PTZ Dome Camera

Analog



FC | | CE | EAC

Key Features

- Full HD (1920 x 1080, 30fps) resolution
- 0.2Lux@F1.6, B/W : 0.01Lux@F1.6
- Powerful 32x zoom (4.44 ~ 142.6mm), Digital 16x
- Day & Night (ICR), Defog, WDR (120dB), SSNRIII
- Preset 700°/sec, Azimuth
- IP66 / IK10 (HCP-6320H)
- RS-485, 24V AC

Compatible Accessories (Optional)



SPB-PTZ7



SBP-300WM1



SBP-300WM



SBP-300PM



SBP-300CM



SBP-300LM



SBP-300NB



SBP-300B

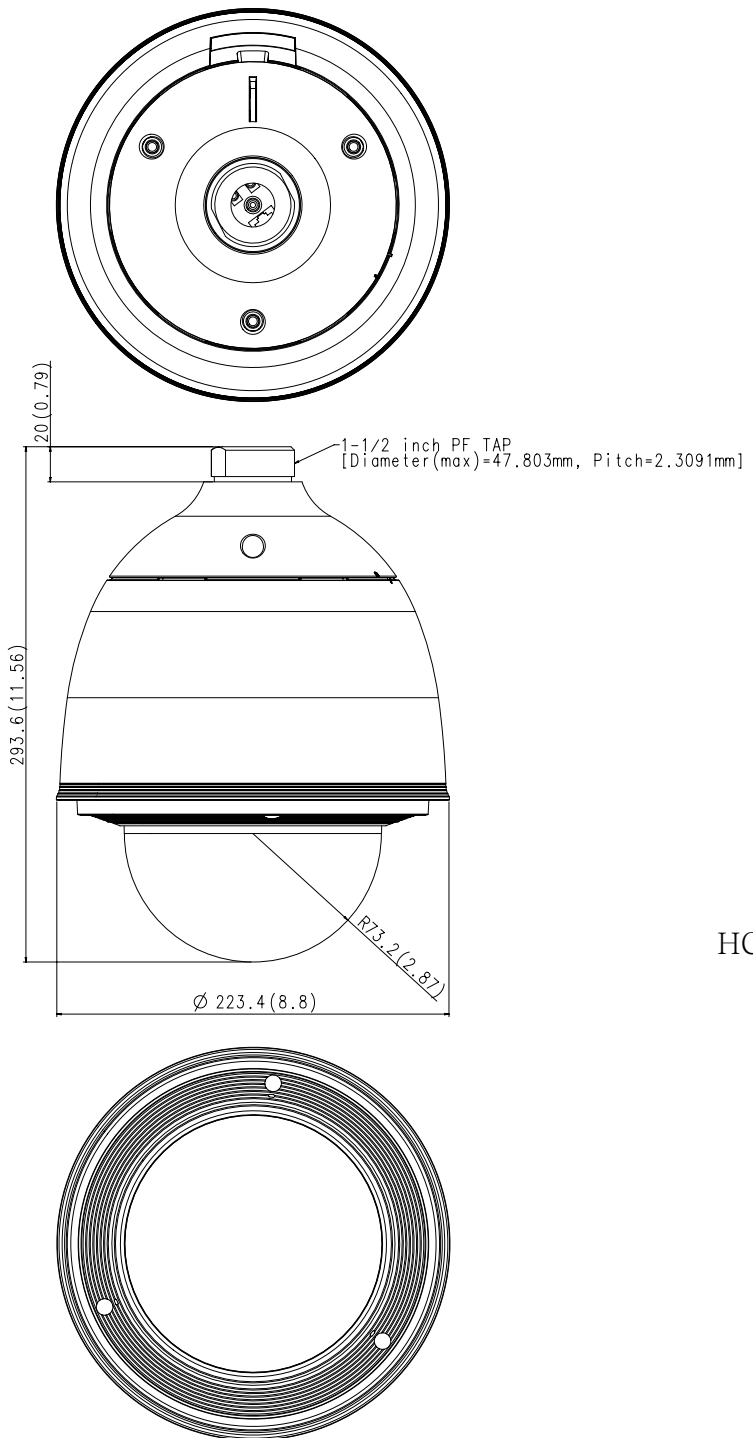


SBP-300KM

Video	
Imaging Device	1/2.8" 2MP CMOS
Resolution	1920x1080
Max. Framerate	30fps
Min. Illumination	Color:0.2Lux(F1.6, 1/30sec) BW: 0.01Lux(F1.6, 1/30sec)
Video Out	BNC(AHD / CVBS)
Lens	
Focal Length (Zoom Ratio)	4.44~142.6mm(32x) motorized varifocal
Max. Aperture Ratio	F1.6(Wide)~F4.4(Tele)
Angular Field of View	H: 62.8°(Wide)~2.23°(Tele) / V: 36.8°(Wide)~1.26°(Tele)
Min. Object Distance	Wide: 1.4m(4.59ft), Tele: 1.9m(6.23ft)
Focus Control	Auto, Manual, One push
Lens Type	DC auto iris
Pan / Tilt / Rotate	
Pan Range	360° Endless
Pan Speed	Preset: 700°/sec, Manual: 0.024°/sec~200°/sec
Tilt Range	210°(-15°~195°)
Tilt Speed	Preset: 700°/sec, Manual: 0.024°/sec~200°/sec
Sequence	Preset(255ea)
Preset Accuracy	±0.2°
Operational	
Camera Title	Displayed up to 85 characters
Day & Night	Auto(ICR)
Backlight Compensation	BLC, HLC, WDR, SDR
Wide Dynamic Range	120dB
Digital Noise Reduction	SSNR III
Digital Image Stabilization	Support
Defog	Support
Motion Detection	4ea, rectangular zones
Privacy Masking	32ea, rectangular zones
Gain Control	Low / Middle / High
White Balance	ATW / AWC / Manual / Indoor / Outdoor / Mercury / Sodium
Electronic Shutter Speed	2~1/12,000sec
Video Rotation	Flip, Mirror
Analytics	Tempering, Virtual line, Enter/Exit, (Dis)Appear, Motion detection
Serial Interface	RS-485(Samsung-T/E, Pelco-P/D, Sungjin, Panasonic, Honeywell, AD, Vicon, Bosch, GE)
Alarm I/O	Input 4ea / Output 2ea
Alarm Triggers	Analytics

Alarm Events	Alarm output
Environmental & Electrical	
Operating Temperature / Humidity	-50°C ~ +55°C (-58°F ~ +131°F) / Less than ~ 90% RH
Storage Temperature / Humidity	-50°C ~ +60°C (-58°F ~ +140°F) / Less than 90% RH
Certification	IP66, IK10, Safety(UL), EMC(FCC, CE)
Input Voltage	24VAC
Power Consumption	Max 24W(Heater off), 65W(Heater on)
Mechanical	
Color / Material	Ivory / Plastic + Aluminum

- The latest product information / specification can be found at hanwha-security.com
- Design and specifications are subject to change without notice.
- Wisenet is the proprietary brand of Hanwha Techwin, formerly known as Samsung Techwin.



HCP-6320H
Unit : mm(inch)