

HCP-6320HA

1080p Analog HD 32x PTZ Dome Camera

Analog



FC | | CE | EAC

Key Features

- Full HD (1920 x 1080, 30fps) resolution
- 0.2Lux@F1.6, B/W : 0.01Lux@F1.6
- Powerful 32x zoom (4.44 ~ 142.6mm), Digital 16x
- Day & Night (ICR), Defog, WDR (120dB), SSNR III
- Preset 700°/sec, Azimuth
- IP66 / IK10 (HCP-6320HA), IK10 (HCP-6320A + SHP-3701H only)
- RS-485, Coax control

Compatible Accessories (Optional)



SPB-PTZ7



SBP-390WM2



SBP-300WM



SBP-300WM1



SBP-300KM



SBP-300B



SBP-300PM



SBP-300LM



SBP-300CM



SBP-300NB

Video	
Imaging Device	1/2.8" 2.38MP CMOS
Resolution	1920x1080
Min. Illumination	Color: 0.3 Lux (1/30sec, F1.6, 50IRE) , 0.005 Lux(2sec, F1.6, 50IRE) B/W: 0.03 Lux (1/30sec, F1.6, 50IRE), 0.0005 Lux(2sec, F1.6, 50IRE) Color: 0.2 Lux (1/30sec, F1.6, 30IRE), 0.003 Lux(2sec, F1.6, 30IRE) B/W: 0.01 Lux (1/30sec, F1.6, 30IRE), 0.0001 Lux(2sec, F1.6, 30IRE)
Video Out	BNC(AHD), CVBS(SD, DIP connector type)
Lens	
Focal Length (Zoom Ratio)	4.44 ~ 142.6mm(32x) motorized varifocal
Max. Aperture Ratio	F1.6(Wide) ~ F4.4(Tele)
Min. Object Distance	Wide 1.4m(4.59ft), Tele 1.9m(6.23ft)
Focus Control	Auto / Manual / One push
Lens Type	DC Auto Iris
Pan / Tilt / Rotate	
Pan Range	360° Endless
Pan Speed	Preset: 700°/sec, Manual: 0.024°/sec ~200°/sec
Tilt Range	210°(-15° ~195°)
Tilt Speed	Preset : 700°/sec, Manual : 0.024°/sec ~200°/sec
Preset Accuracy	±0.2°
Operational	
Camera Title	Displayed up to 12 characters
Day & Night	Auto(ICR)
Backlight Compensation	BLC, HLC, WDR
Wide Dynamic Range	120dB
Digital Noise Reduction	SSNRIII
Digital Image Stabilization	Support
Defog	Support
Motion Detection	1ea, rectangular zone
Privacy Masking	12ea, rectangular zones
Gain Control	Low / Middle / High
White Balance	ATW / AWC / Manual / Indoor / Outdoor
Electronic Shutter Speed	ESC / Auto / Manual
Video Rotation	Digital Flip
Analytics	Motion detection, Appear/Disappear, Enter/Exit, Virtual Line
Serial Interface	RS-485: Samsung-T/E, Pelco-D/P, Panasonic, Bosch, AD, GE, Vicon, Honeywell
Alarm I/O	Input 4ea, Output 2ea
Alarm Triggers	Analytics
Alarm Events	Alarm output
Coaxial Protocol	ACP(AHD Coax Protocol), CVBS : Pelco-C(Coaxitron)

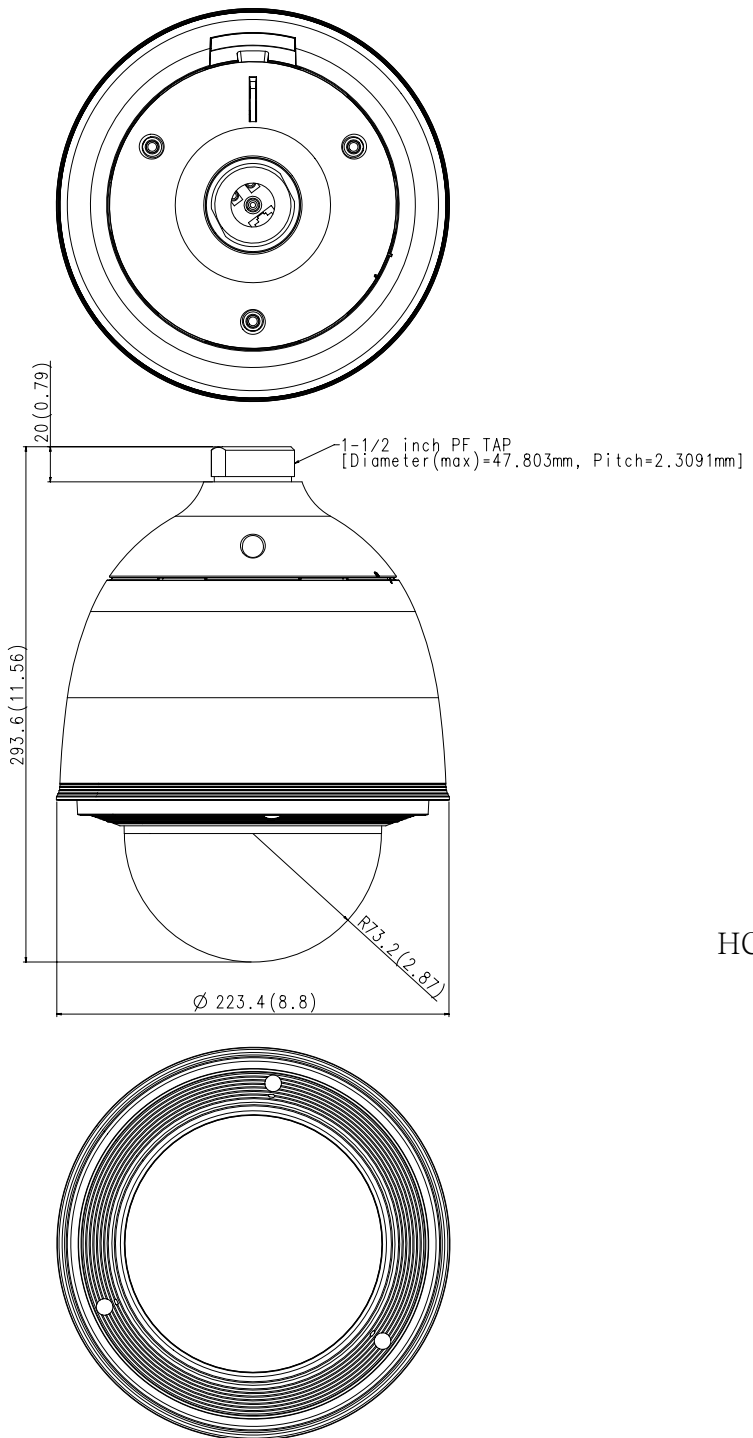
Environmental & Electrical

Operating Temperature / Humidity	-50°C ~ +55°C(-58°F ~ +131°F) / Less than 90% RH
Certification	IP66, IK10
Input Voltage	24VAC
Power Consumption	Max 24W(Heater Off), 65W(Heater On)

Mechanical

Color / Material	Ivory / Plastic
Product Dimensions / Weight	Ø223.4x293.6mm(8.79x11.56"), 3300g(7.28 lb)

- The latest product information / specification can be found at hanwha-security.com
- Design and specifications are subject to change without notice.
- Wisenet is the proprietary brand of Hanwha Techwin, formerly known as Samsung Techwin.



HCP-6320H
Unit : mm(inch)