

HCD-7020RA

QHD (4MP) Analog IR Dome Camera

Analog

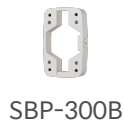


FC | | CE | EAC

Key Features

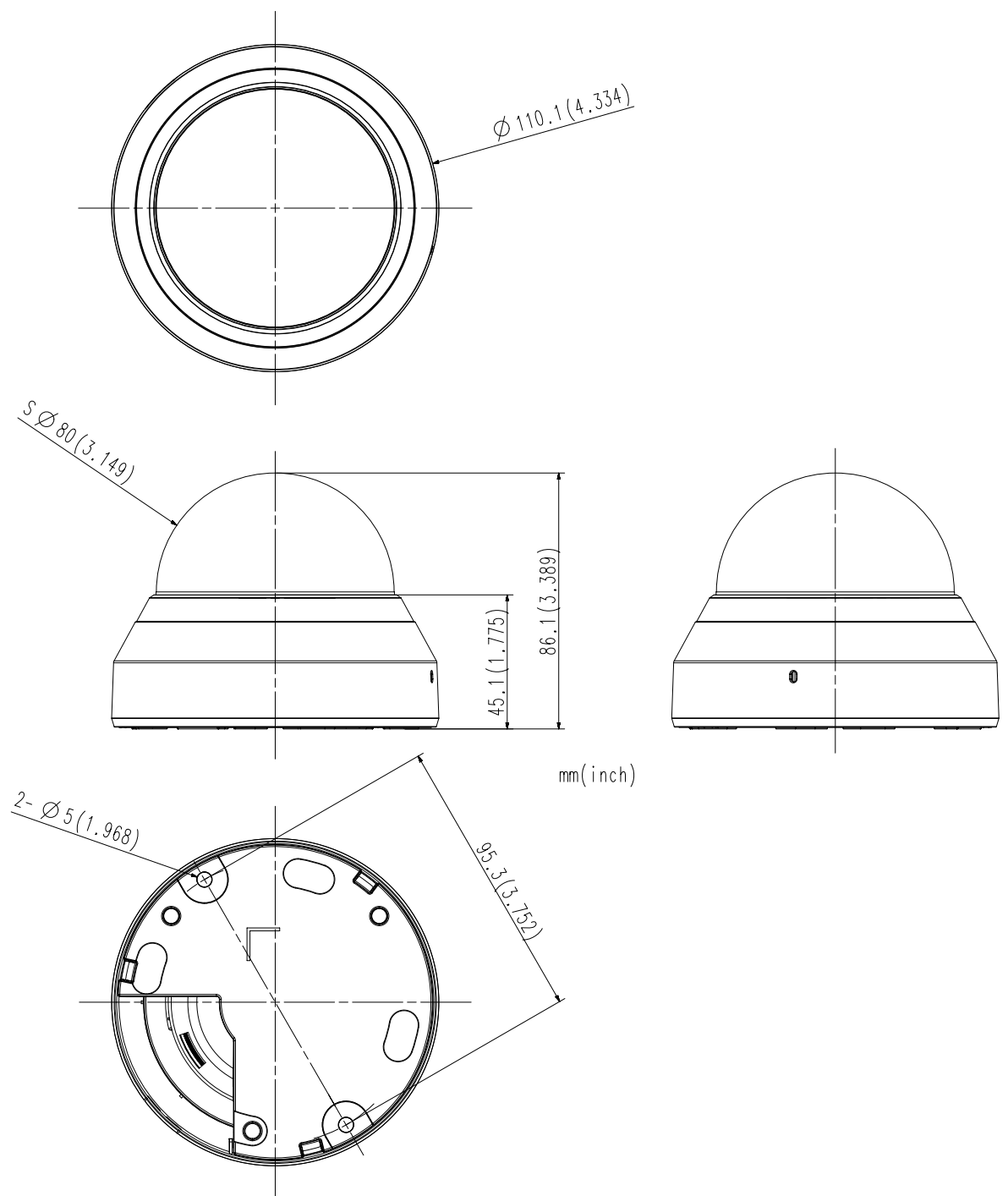
- 0.27 Lux@F2.0 (Color) (HCD-7020R/7030R), 0 Lux (B/W : IR LED on)
- Built-in 4.0mm fixed lens (HCD-7020R)
- Day & Night (ICR), DWDR, Motion detection
- IR Viewable Length 25m(7020R)
- Transmission distance max.500m
- Easy installation (Plug & play)

Compatible Accessories (Optional)



Video	
Imaging Device	1/3" 4MP CMOS
Resolution	2560x1440
Max. Framerate	30fps@4M(N), 25fps@4M(P)
Min. Illumination	Color: 0.27Lux(F2.0, 1/30sec) BW: 0Lux(IR LED on)
Video Out	BNC(AHD), additional CVBS for installation(2Pin connector type)
Video Transmission Distance	500m(5C2V Coaxial Cable)
Lens	
Focal Length (Zoom Ratio)	4.0mm fixed
Max. Aperture Ratio	F2.0
Angular Field of View	H: 78.22°, V: 41.21°, D: 87.91°
Min. Object Distance	0.5m(1.64ft)
Pan / Tilt / Rotate	
Pan / Tilt / Rotate Range	0°~350° / 0°~67° / 0°~355°
Operational	
Day & Night	Auto(ICR)
Backlight Compensation	UserBLC, HLC, DWDR
Digital Noise Reduction	2DDNR
Motion Detection	4 zones
Privacy Masking	2 zones
Gain Control	Low / Middle / High / Very High
White Balance	ATW / AWC / Manual / Indoor / Outdoor
Electronic Shutter Speed	1/30 ~ 1/12,000sec(N), 1/25~ 1/12,000sec(P)
Video Rotation	H-Rev/V-Rev
Analytics	Motion detection
IR Viewable Length	25m(82.02ft)
Coaxial Protocol	ACP(AHD Coax Protocol), CVBS: Pelco-C(Coaxitron)
Environmental & Electrical	
Operating Temperature / Humidity	-10°C ~ +55°C (+14°F ~ +131°F) / Less than 90% RH
Input Voltage	12VDC
Power Consumption	Max 5W
Mechanical	
Color / Material	Ivory / Plastic
Product Dimensions / Weight	Ø110.1 x 86.1mm(Ø4.33"x3.39"), 240g(0.53 lb)

- The latest product information / specification can be found at hanwha-security.com
- Design and specifications are subject to change without notice.
- Wisenet is the proprietary brand of Hanwha Techwin, formerly known as Samsung Techwin.



mm(inch)