

HCD-7010RA

QHD (4MP) Analog IR Dome Camera

Analog



FC | | CE | EAC

Key Features

- 0.26 Lux@F1.8 (Color), 0 Lux (B/W : IR LED on)
- Built-in 2.8mm fixed lens
- Day & Night (ICR), DWDR, Motion detection
- IR Viewable Length 20m
- Transmission distance max.500m
- Easy installation (Plug & play)

Compatible Accessories (Optional)



SBP-300HM7



SBP-120WM



SPB-IND12



SPG-IND12B



SBP-390WM2



SBP-300WM1



SBP-300WM



SBP-300CM



SBP-300LM



SBP-300B



SBP-300KM



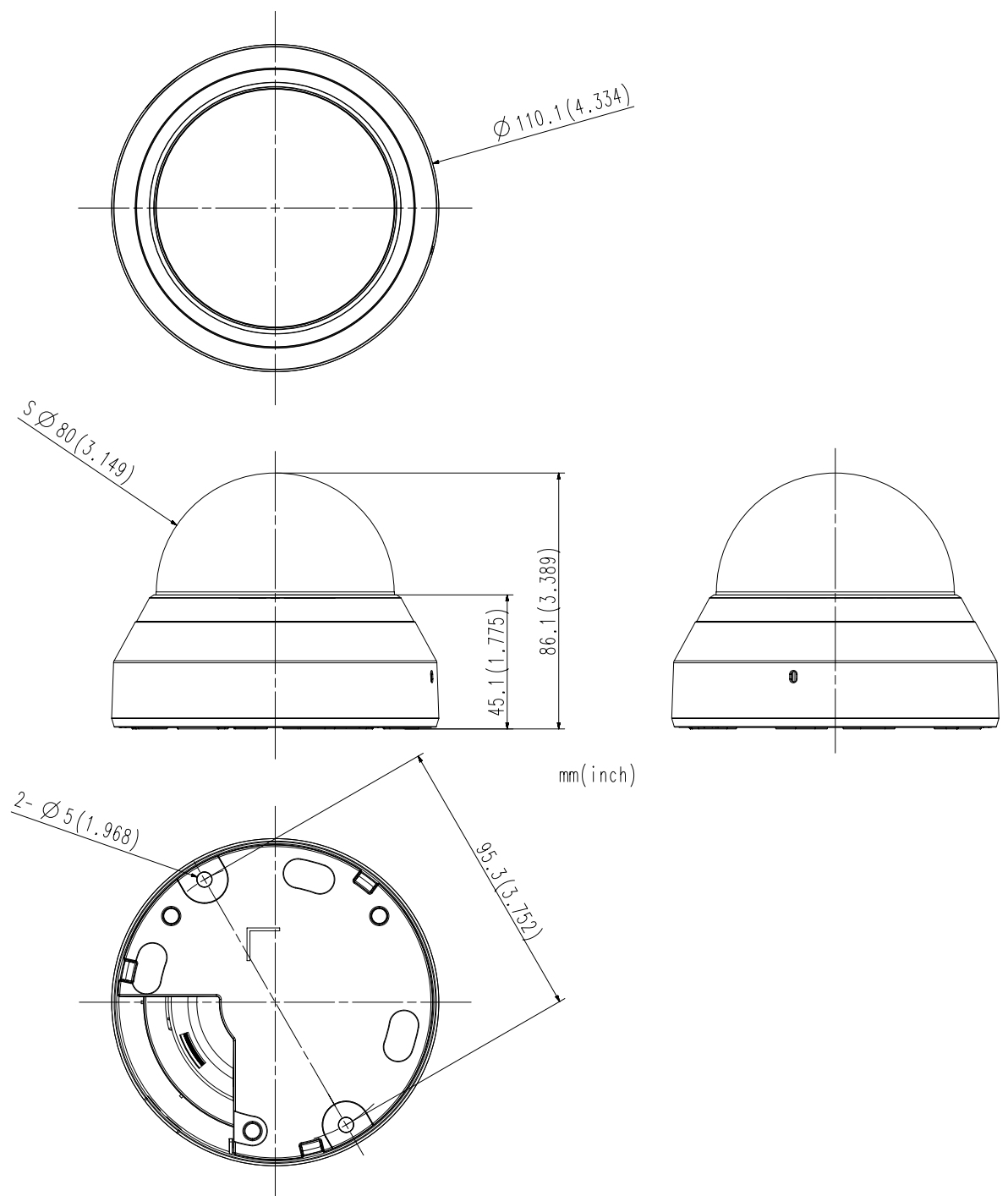
SBP-300NB



SBP-300PM

Video	
Imaging Device	1/3" 4MP CMOS
Resolution	2560x1440
Max. Framerate	30fps@4M(N), 25fps@4M(P)
Min. Illumination	Color: 0.26Lux(F1.8, 1/30sec) BW: 0Lux(IR LED on)
Video Out	BNC(AHD), additional CVBS for installation(2Pin connector type)
Video Transmission Distance	500m(5C2V Coaxial Cable)
Lens	
Focal Length (Zoom Ratio)	2.8mm fixed
Max. Aperture Ratio	F1.8
Angular Field of View	H: 107.48°, V: 59.67°, D: 122.01°
Min. Object Distance	0.5m(1.64ft)
Pan / Tilt / Rotate	
Pan / Tilt / Rotate Range	0°~350° / 0°~67° / 0°~355°
Operational	
Day & Night	Auto(ICR)
Backlight Compensation	UserBLC, HLC, DWDR
Digital Noise Reduction	2DDNR
Motion Detection	4 zones
Privacy Masking	2 zones
Gain Control	Low / Middle / High / Very High
White Balance	ATW / AWC / Manual / Indoor / Outdoor
Electronic Shutter Speed	1/30 ~ 1/12,000sec(N), 1/25~ 1/12,000sec(P)
Video Rotation	H-Rev/V-Rev
Analytics	Motion detection
IR Viewable Length	20m(65.62ft)
Coaxial Protocol	ACP(AHD Coax Protocol), CVBS: Pelco-C(Coaxitron)
Environmental & Electrical	
Operating Temperature / Humidity	-10°C ~ +55°C (+14°F ~ +131°F) / Less than 90% RH
Input Voltage	12VDC
Power Consumption	Max 5W
Mechanical	
Color / Material	Ivory / Plastic
Product Dimensions / Weight	Ø110.1 x 86.1mm(Ø4.33"x3.39"), 240g(0.53 lb)

- The latest product information / specification can be found at hanwha-security.com
- Design and specifications are subject to change without notice.
- Wisenet is the proprietary brand of Hanwha Techwin, formerly known as Samsung Techwin.



mm(inch)