

# HCB-6001

1080p Analog HD camera

Analog



FC |  | CE | EAC

## Key Features

- Full HD(1920 x 1080, 30fps) resolution
- 0.09Lux@F1.2(Color), 0.009Lux@F1.2(B/W)
- Day & Night(ICR), WDR(120dB)
- SSNRIV, Motion detection
- Transmission distance max.500m
- Easy installation (Plug & play), Dual power, RS-485

## Compatible Accessories (Optional)



SHB-4200



SHB-4301HP



SHB-4200H



SHB-4300H1



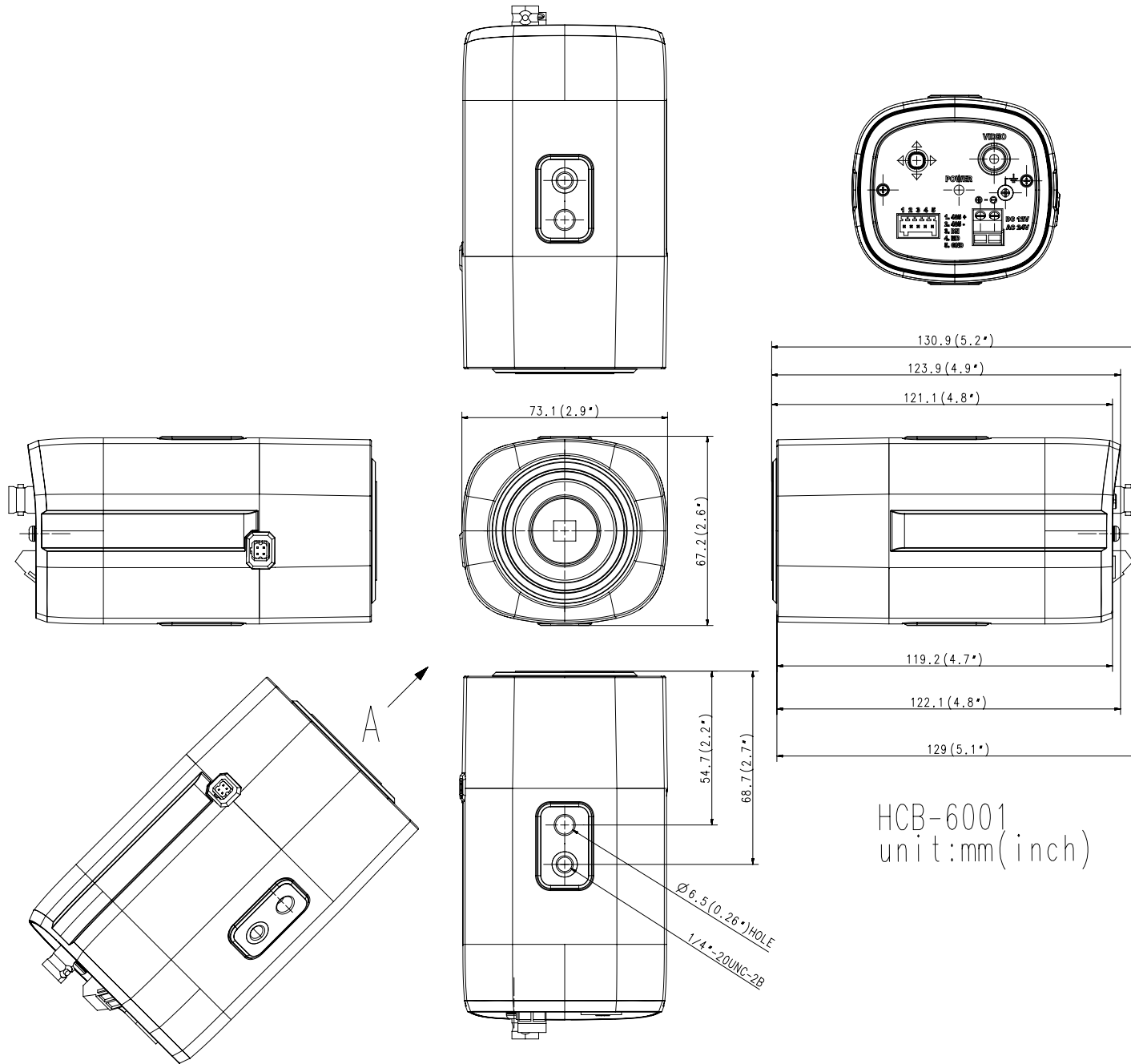
STB-4150V

| Video                            |  |
|----------------------------------|--|
| Imaging Device                   | 1/2.8" 2MP CMOS  |
| Resolution                       | 1920x1080  |
| Max. Framerate                   | 30fps / 25fps(60Hz / 50Hz)   |
| Min. Illumination                | Color: 0.09Lux(F1.2, 1/30sec)<br>BW: 0.009Lux(F1.2, 1/30sec)                                       |
| Video Out                        | BNC(AHD / TVI / CVI / CVBS Selectable)   |
| Video Transmission Distance      | 500m(5C2V Coaxial Cable)<br>300m(5C2V Coaxial Cable)   |
| Lens                             |  |
| Focus Control                    | Simple focus, Manual   |
| Lens Type                        | DC auto iris   |
| Mount Type                       | C mount, CS mount  |
| Operational                      |  |
| Camera Title                     | Displayed up to 15 characters  |
| Day & Night                      | Auto(ICR)  |
| Backlight Compensation           | BLC, HLC, WDR  |
| Wide Dynamic Range               | 120dB  |
| Digital Noise Reduction          | SSNRIV   |
| Defog                            | Support  |
| Motion Detection                 | 4ea  |
| Privacy Masking                  | 4ea, rectangular zones   |
| Gain Control                     | Low / Middle / High / Very High  |
| White Balance                    | ATW / AWC / Manual / Indoor / Outdoor  |
| Electronic Shutter Speed         | 1 ~ 1/12,000sec  |
| Video Rotation                   | H-Rev / V-Rev  |
| Analytics                        | Motion detection   |
| Serial Interface                 | RS-485(Samsung-T, Pelco-D/P, Panasonic, Bosch, AD, GE, Vicon, Honeywell)                           |
| Alarm I/O                        | MD output 1ea, External D/N 1ea  |
| Alarm Triggers                   | Analytics  |
| Alarm Events                     | Alarm output   |
| Coaxial Protocol                 | ACP(AHD Coax Protocol), TCP(TVI Coax Protocol), CCP(CVI Coax Protocol)<br>CVBS: Pelco-C(Coaxitron) |
| Environmental & Electrical       |  |
| Operating Temperature / Humidity | -10°C ~ +55°C(+14°F ~ +131°F) / Less than 90% RH   |
| Input Voltage                    | 24VAC, 12VDC   |
| Power Consumption                | Max 6W   |
| Mechanical                       |  |
| Color / Material                 | Black / Aluminum, Ivory / Plastic  |

**Product Dimensions / Weight**

130.9(H)×73.1(V)×67.2(D)mm(5.15×2.88×2.65"), 287g(0.63 lb)

- The latest product information / specification can be found at [hanwha-security.com](http://hanwha-security.com)
- Design and specifications are subject to change without notice.
- Wisenet is the proprietary brand of Hanwha Techwin, formerly known as Samsung Techwin.



HCB-6001  
unit:mm(inch)

VIEW A