

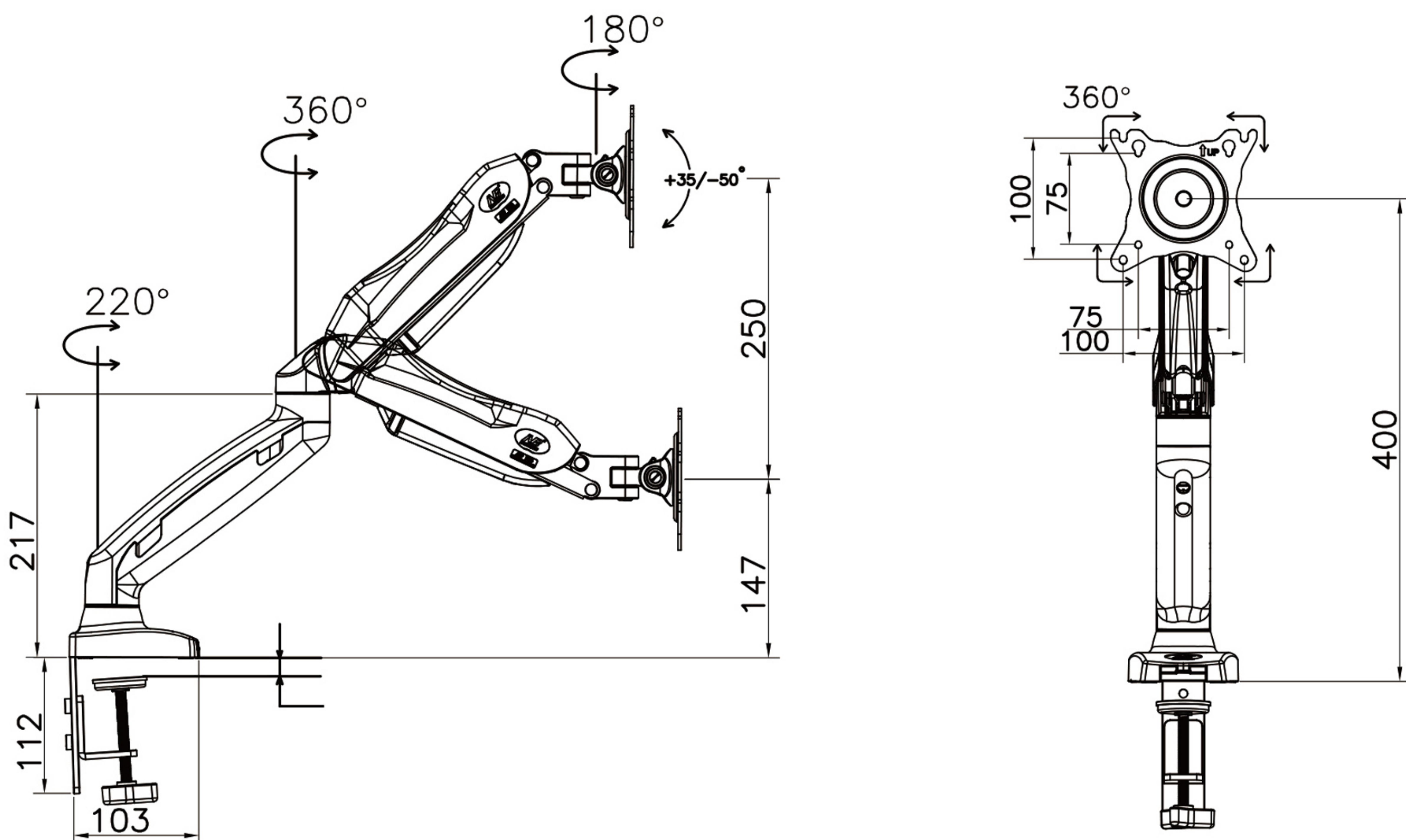


Gas Strut Desktop Mount

F80



Model	F80	Color	Black	Carton size	41 x 31x 41 cm
Screen Size	17" -27"	Tilt angles	+35° / -50°	Carton G.W	11.9 kg
Capacity	2-6.5 kg	Swivel angles	± 180°	Carton pack	4
Extension	505mm	Upright	250mm	Palletized quantity	180
Roll angles	360°	VESA	75 × 75-100 × 100 mm	20 GP quantity	1960
Material built	Aluminium alloy			40 HQ quantity	5000



Unit: mm