

# TNB-9000

8K Box Camera

Network



## Key Features

- 43.3mm full-frame CMOS Image Sensor
- Max.15fps@8K, 20fps@24MP, 30fps@15MP, 60fps@4K
- Compatible with Canon EF mount Lens
- Intelligent video analytics based on AI (Object detection/classification, Attribute, BestShot)
- HDMI (1080p 30fps) Video Output
- H.265/H.264 : Main/High, MJPEG
- Single Micro SD slot (Up to 256GB)
- WiseStream II support
- RJ-45, SFP slot(100/1000Mbps)
- HPoE(IEEE802.3bt, Class5), 12VDC

## Compatible Accessories (Optional)



SHB-9000H



SBP-300KMW



SBP-300NBW

<b>Video</b>	
<b>Imaging Device</b>	Diagonal 43.3mm Full-frame CMOS
<b>Resolution</b>	7680x4320, 7360x4128, 6016x3384, 6016x4008, 5472x3648, 4768x3184, 4608x2592, 3840x2160, 1920x1080, 1280x1024, 1280x960, 1280x720, 1024x768, 800x600, 800x448, 720x576, 720x480, 640x480, 640x360
<b>Max. Framerate</b>	H.265/H.264: 32MP(8K) @ Max. 15fps (Mode 0) H.265/H.264: 24MP @ Max. 20fps (Mode 1) H.265/H.264: 15MP @ Max. 30fps (Mode 2) H.265/H.264: 8MP(4K) @ Max. 60fps (Mode 3)
<b>Min. Illumination</b>	Color : 0.015Lux(F1.4, 1/30sec) B/W : 0.0015Lux(F1.4, 1/30sec)
<b>Video Out</b>	HDMI: 1080p@30/25fps (60/50Hz)
<b>Lens</b>	
<b>Angular Field of View</b>	Canon 24mm f1.4L, Auto-Iris (EF 24mm f/1.4L II USM) : Horizontal field of view: 8K 62.1° Canon 35mm f1.4L, Auto-Iris (EF 35mm f/1.4L II USM) : Horizontal field of view: 8K 44.5° Canon 50mm f1.4, Auto-Iris (EF 50mm f/1.4 USM) : Horizontal field of view: 8K 31.6° Canon 85mm f1.2L, Auto-Iris (EF 85mm f/1.2L II USM) : Horizontal field of view: 8K 19.2° Canon 100mm f2.0, Auto-Iris (EF 100mm f/2 USM) : Horizontal field of view: 8K 16.1° Canon 70-200mm f2.8L, Auto-Iris, Vari Focal (EF 70-200mm f/2.8L USM) : Horizontal field of view: 8K 23.2° ~ 8.3°
<b>Focus Control</b>	Simple focus
<b>Lens Type</b>	Canon EF mount Lens
<b>Mount Type</b>	Canon EF mount
<b>Optional Lens</b>	Canon 24mm f1.4L, Auto-Iris (EF 24mm f/1.4L II USM) Canon 35mm f1.4L, Auto-Iris (EF 35mm f/1.4L II USM) Canon 50mm f1.4, Auto-Iris (EF 50mm f/1.4 USM) Canon 85mm f1.2L, Auto-Iris (EF 85mm f/1.2L II USM) Canon 100mm f2.0, Auto-Iris (EF 100mm f/2 USM) Canon 70-200mm f2.8L, Auto-Iris, Vari Focal (EF 70-200mm f/2.8L USM)
<b>Operational</b>	
<b>Camera Title</b>	Displayed up to 75 characters
<b>Day &amp; Night</b>	Auto(ICR)
<b>Backlight Compensation</b>	BLC, DWDR
<b>Digital Noise Reduction</b>	SSNR V
<b>Motion Detection</b>	8ea, 8point polygonal zones (in 32MP(8K) resolution only)
<b>Privacy Masking</b>	6ea, Rectangular - Color: Grey/Black/White
<b>Gain Control</b>	Low / Middle / High
<b>White Balance</b>	ATW / AWC / Manual / Indoor / Outdoor
<b>Electronic Shutter Speed</b>	Minimum / Maximum / Anti flicker (1/5 ~ 1/12,000sec)
<b>Analytics</b>	- Classified object type : Person/Face/Vehicle/License plate with attributes, BestShot per object - Analytics events based on AI engine : object detection, Directional detection, Enter/Exit, Loitering, Virtual line - Analytics events : Defocus detection, Motion detection, Appear/Disappear, Tampering, Audio detection, Sound classification
<b>Serial Interface</b>	RS-485(Samsung-T, Pelco-D/P)

<b>Alarm I/O</b>	Input 1ea / Output 1ea
<b>Alarm Triggers</b>	Analytics, Network disconnect, Alarm input
<b>Alarm Events</b>	File upload via FTP and e-mail Notification via e-mail SD/SDHC/SDXC or NAS recording at event triggers Alarm output Handover
<b>Audio In</b>	Selectable(mic in/line in) Supply voltage: 2.5VDC(4mA), Input impedance: 2K Ohm
<b>Audio Out</b>	Line out, Max.output level: 1Vrms
<b>Network</b>	
<b>Ethernet</b>	Metal shielded RJ-45(10/100/1000 BASE-T), SFP slot(100/1000Mbps)
<b>Video Compression</b>	H.265/H.264: Main/High, MJPEG
<b>Audio Compression</b>	G.711 u-law /G.726 Selectable G.726(ADPCM) 8KHz, G.711 8KHz G.726: 16Kbps, 24Kbps, 32Kbps, 40Kbps AAC-LC: 48Kbps at 16KHz
<b>Smart Codec</b>	Manual(5ea area), WiseStream II
<b>Bitrate Control</b>	H.264/H.265: CBR or VBR MJPEG: VBR
<b>Streaming</b>	Unicast(6 users) / Multicast Multiple streaming(Up to 3 profiles)
<b>Protocol</b>	IPv4, IPv6, TCP/IP, UDP/IP, RTP(UDP), RTP(TCP), RTCP,RTSP, NTP, HTTP, HTTPS, SSL/TLS, DHCP, FTP, SMTP, ICMP, IGMP, SNMPv1/v2c/v3(MIB-2), ARP, DNS, DDNS, QoS, UPnP, Bonjour, LLDP
<b>Security</b>	HTTPS(SSL) Login Authentication Digest Login Authentication IP Address Filtering User access log 802.1X Authentication(EAP-TLS, EAP-LEAP) Device Certificate(Hanwha Techwin Root CA)
<b>Application Programming Interface</b>	ONVIF Profile S/G/T SUNAPI(HTTP API)
<b>General</b>	
<b>Webpage Language</b>	English, Korean, Chinese, French, Italian, Spanish, German, Japanese, Russian, Swedish,, Portuguese, Czech, Polish, Turkish, Dutch, Hungarian, Greek
<b>Edge Storage</b>	Micro SD/SDHC/SDXC 1slot 256MB
<b>Memory</b>	4096MB RAM, 512MB Flash
<b>Environmental &amp; Electrical</b>	
<b>Operating Temperature / Humidity</b>	0°C ~ +45°C(32°F ~ +122°F) / Less than 90% RH
<b>Storage Temperature / Humidity</b>	-40°C ~ +65°C(-40°F ~ +140°F) / Less than 90% RH
<b>Certification</b>	Safety(UL 60950-1), EMC(FCC, CE, KC) EN 50130-4, EN 55032 Class A, EN 61000-6-3, EN 61000-3-2, EN 61000-3-3, EN 61000-6-1, FCC Part 15 Subpart B Class A, IC ICES-003 Class A
<b>Input Voltage</b>	HPoE(IEEE802.3bt, Class5), 12VDC

<b>Power Consumption</b>	PoE: Max 30W, typical 20W 12VDC: Max 26W, typical 18W
--------------------------	--

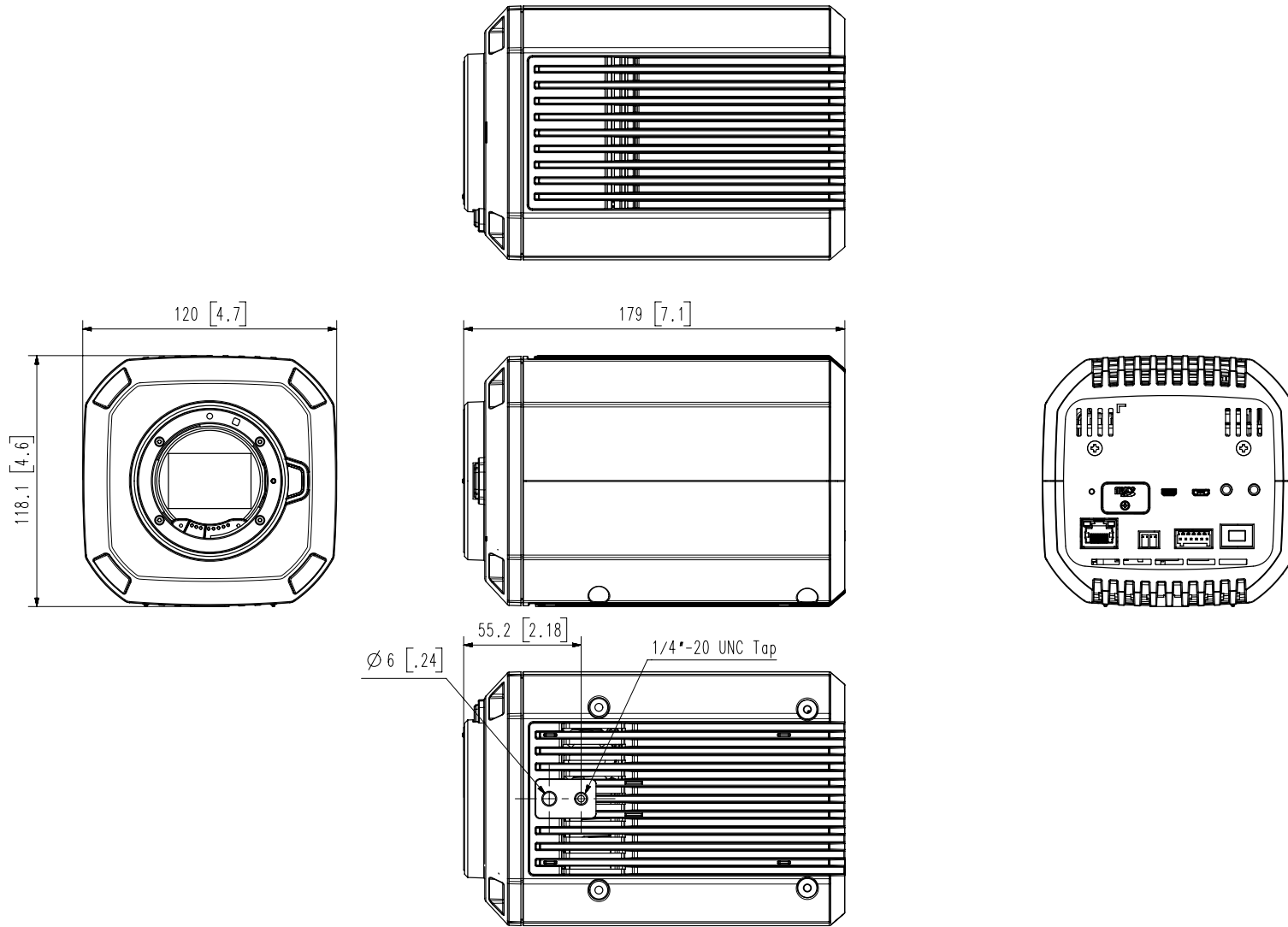
**Mechanical**

<b>Color / Material</b>	Black / Aluminum
<b>Product Dimensions / Weight</b>	120(W)x118.1(H)x179(D)mm, 2.1Kg(4.55 lb)

- The latest product information / specification can be found at [hanwha-security.com](http://hanwha-security.com)
- Design and specifications are subject to change without notice.
- Wisenet is the proprietary brand of Hanwha Techwin, formerly known as Samsung Techwin.

This parts should not contain any substances which are specified in AH60-0033K

NO	PART NAME	CODE NO.	MATERIAL	Q'TY	REMARK
1	ASSY-TNB-9000	070610	MATERIAL	1	REMARK



A3 CHANGE	UNIT	mm	DESIGN	CHECK	APPROVAL	PART NAME	ASSY-TNB-9000
	SCALE	1 / 1	M.Fujiwara	Check	Approval	MODEL NAME	TNB-9000
			19.12.18	19.12.18	19.12.18	CODE NO.	070610
	Hanwha Techwin						

070610