

# QNO-6022R1

2MP IR Bullet Camera

Network



FC |  | CE | EAC

## Key Features

- Maximum 2megapixel (1920 x 1080) resolution
- 0.03Lux (Color), 0Lux (B/W, IR LED on)
- 4mm fixed lens
- Maximum 30fps@2MP all resolutions (H.265/H.264)
- H.265, H.264, MJPEG codec supported, Multiple streaming
- Motion detection, Tampering, Defocus detection
- Hallway view (90°/270°), LDC support
- Micro SD/SDHC/SDXC memory slot (Max. 128GB)
- IR viewable length 25m
- IP66, IK10, PoE, 12VDC
- No-audio model

## Compatible Accessories (Optional)



SBO-100B1



SBP-302PM

| Video                     |  |
|---------------------------|--|
| Imaging Device            | 1/2.8" 2MP CMOS  |
| Resolution                | 1920x1080, 1280x960, 1280x720, 800x600, 800x448, 720x576, 720x480, 640x480, 640x360  |
| Max. Framerate            | H.265/H.264: Max. 30fps/25fps(60Hz/50Hz)<br>MJPEG: Max. 15fps/12fps(60Hz/50Hz)   |
| Min. Illumination         | Color: 0.03Lux(F1.6, 1/30sec)<br>BW: 0Lux(IR LED on)   |
| Video Out                 | CVBS: 1.0 Vp-p / 75Ω composite, 720x480(N), 720x576(P) for installation  |
| Lens                      |  |
| Focal Length (Zoom Ratio) | 4.0mm fixed focal  |
| Max. Aperture Ratio       | F1.6   |
| Angular Field of View     | H: 87.6 / V: 46.4° / D: 104.5°   |
| Min. Object Distance      | 0.5m (1.64ft)  |
| Focus Control             | Fixed  |
| Operational               |  |
| Camera Title              | Displayed up to 85 characters  |
| Day & Night               | Auto(ICR)  |
| Backlight Compensation    | BLC, WDR, SSSR   |
| Wide Dynamic Range        | 120dB  |
| Digital Noise Reduction   | SSNR   |
| Motion Detection          | 4ea, polygonal zones   |
| Privacy Masking           | 6ea, rectangular zones   |
| Gain Control              | Low / Middle / High  |
| White Balance             | ATW / AWC / Manual / Indoor / Outdoor  |
| LDC                       | Support  |
| Electronic Shutter Speed  | Minimum / Maximum / Anti flicker (1/5~1/12,000sec)   |
| Video Rotation            | Flip, Mirror, Hallway view(90/270)   |
| Analytics                 | Defocus detection, Directional detection, Motion detection, Enter/Exit, Tampering, Virtual line                              |
| Alarm I/O                 | Input 1ea / Output 1ea   |
| Alarm Triggers            | Analytics, Network disconnect, Alarm input   |
| Alarm Events              | File upload via FTP and e-mail<br>Notification via e-mail<br>SD/SDHC/SDXC or NAS recording at event triggers<br>Alarm output |
| IR Viewable Length        | 25m(82.02ft)   |
| Network                   |  |
| Ethernet                  | RJ-45(10/100BASE-T)  |
| Video Compression         | H.265/H.264: Main/High, MJPEG  |
| Smart Codec               | WiseStream II  |

|  |  |
|--|--|
| <b>Bitrate Control</b>                   | H.264/H.265: CBR or VBR<br>MJPEG: VBR  |
| <b>Streaming</b>                         | Unicast(6 users) / Multicast<br>Multiple streaming(Up to 3 profiles)   |
| <b>Protocol</b>                          | IPv4, IPv6, TCP/IP, UDP/IP, RTP(UDP), RTP(TCP), RTCP, RTSP, NTP, HTTP, HTTPS, SSL/TLS, DHCP, FTP, SMTP, ICMP, IGMP, SNMPv1/v2c/v3(MIB-2), ARP, DNS, DDNS, QoS, UPnP, Bonjour, LLDP |
| <b>Security</b>                          | HTTPS(SSL) Login Authentication<br>Digest Login Authentication<br>IP Address Filtering<br>User access log<br>802.1X Authentication(EAP-TLS, EAP-LEAP)                              |
| <b>Application Programming Interface</b> | ONVIF Profile S/G/T<br>SUNAPI(HTTP API)<br>Wisenet open platform   |

### General

|                         |  |
|-------------------------|--|
| <b>Webpage Language</b> | English, Korean, Chinese, French, Italian, Spanish, German, Japanese, Russian, Portuguese, Czech, Polish, Turkish, Dutch |
| <b>Edge Storage</b>     | Micro SD/SDHC/SDXC 1slot 128GB   |
| <b>Memory</b>           | 512MB RAM, 256MB Flash   |

### Environmental & Electrical

|   |  |
|---|--|
| <b>Operating Temperature / Humidity</b> | -30°C ~ +55°C(-22°F ~ +131°F) / Less than 90% RH<br>* Start up should be done at above -20°C |
| <b>Storage Temperature / Humidity</b>   | -30°C ~ +60°C(-22°F ~ +140°F) / Less than 90% RH   |
| <b>Certification</b>                    | IP66, IK10   |
| <b>Input Voltage</b>                    | PoE(IEEE802.3af, Class3), 12VDC  |
| <b>Power Consumption</b>                | PoE: Max 7.00W, typical 5.20W<br>12VDC: Max 6.10W, typical 4.50W                             |

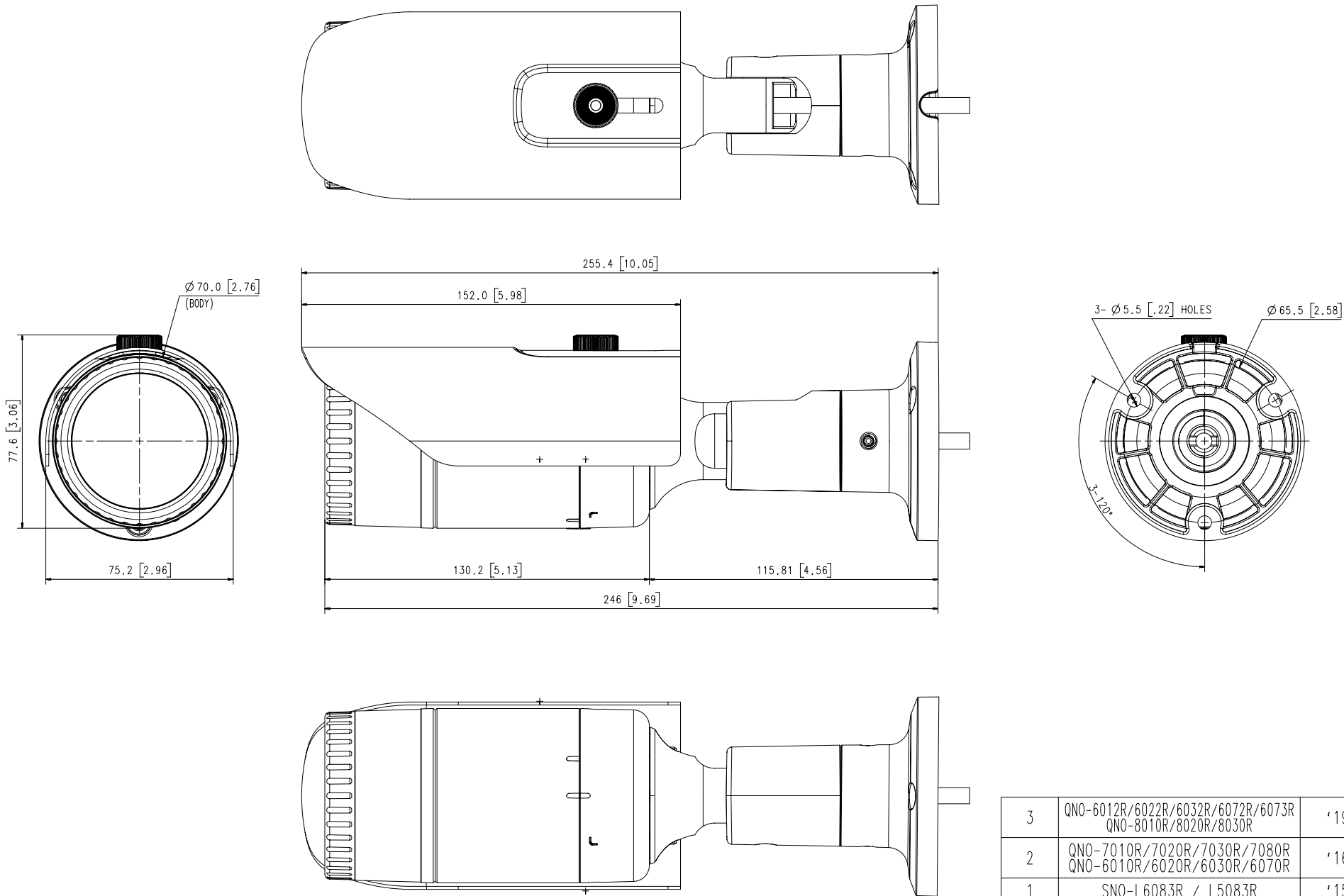
### Mechanical

|  |   |
|--|---|
| <b>Color / Material</b>                  | Dark grey / Aluminum                      |
| <b>Product Dimensions / Weight</b>       | Ø70.0x246.0mm(Ø2.76x9.69"), 700g(1.54 lb) |
| <b>Compatible Conduit hole / Gangbox</b> | Single, Double, 4" Octagon                |

### DORI (EN62676-4 standard)

|                                  |                 |
|----------------------------------|-----------------|
| <b>Detect (25PPM/ 8PPF)</b>      | 40.0m(131.36ft) |
| <b>Observe (63PPM/ 19PPF)</b>    | 16.0m(52.54ft)  |
| <b>Recognize (125PPM/ 38PPF)</b> | 8.0m(26.27ft)   |
| <b>Identify (250PPM/ 76PPF)</b>  | 4.0m(13.14ft)   |

- The latest product information / specification can be found at [hanwha-security.com](http://hanwha-security.com)
- Design and specifications are subject to change without notice.
- Wisenet is the proprietary brand of Hanwha Techwin, formerly known as Samsung Techwin.



© Hanwha Techwin Co.,Ltd. All rights reserved.

|                         |  |                |
|-------------------------|--|----------------|
| 3                       | QNO-6012R/6022R/6032R/6072R/6073R<br>QNO-8010R/8020R/8030R | '19.04.18      |
| 2                       | QNO-7010R/7020R/7030R/7080R<br>QNO-6010R/6020R/6030R/6070R | '16.05.10      |
| 1                       | SNO-L6083R / L5083R  | '15.02.26      |
| No.                     | MODEL NAME   | DATE           |
| Unit:mm[inch] SCALE:1/1 |  | Hanwha Techwin |