

# PNB-A6001

2MP AI Box Camera

Network



FC |  | CE | EAC

## Key Features

- Max. 2MP resolution, Up to 120fps
- 0.006Lux@F1.2, 1/30sec. (Color), 0.0006Lux@F1.2, 1/30sec. (B/W)
- Day & Night (ICR), WDR (120dB), WiseNR II (Using AI engine)
- H.265, H.264, MJPEG, WiseStream II, WiseStream III (Using AI engine)
- Video Analytics based on AI
  - Object detection and classification (Person, Face, Vehicle, License Plate)
  - Face mask detection, Social distancing detection
  - Attribute, BestShot
- Compatible with Wisenet Retail Insight v2.0 for Business Intelligence
  - Age/gender based People counting
  - Heatmap, Queue management
- TPM with FIPS 140-2 level2, Secure boot, Verify firmware forgery
- System requirements
  - SSM v2.10.8 or later, Genetec plugin v1.0 or later, Milestone plugin v1.0.2 or later, NVR model (XRN-6410DB4/B4, XRN-3210B4)

## Compatible Accessories (Optional)



SHB-4301HP



STB-4150V

Video	
Imaging Device	1/2" CMOS
Resolution	1920x1080, 1280x1024, 1280x960, 1280x720, 1024x768, 800x600, 800x448, 720x576, 720x480, 640x480, 640x360
Max. Framerate	H.265/H.264: Max. 60/50fps(60Hz/50Hz, AI analytics on), Max. 120/100fps(60Hz/50Hz, AI analytics off) MJPEG: Max. 15fps/12fps(60Hz/50Hz)
Min. Illumination	Color: 0.006Lux(F1.2, 1/30sec,30IRE) B/W : 0.0006Lux(F1.2, 1/30sec,30IRE), 30/25fps Color: 0.012Lux(F1.2, 1/60sec,30IRE) B/W : 0.0012Lux(F1.2, 1/60sec,30IRE), 60/50fps Color: 0.024Lux(F1.2, 1/120sec,30IRE) B/W : 0.0024Lux(F1.2, 1/120sec,30IRE), 120/100fps
Video Out	CVBS: 1.0 Vp-p / 75Ω composite, 720x480(N), 720x576(P) for installation USB: Micro USB Type B, 1280x720 for installation
Lens	
Focus Control	Simple focus
Lens Type	DC auto iris, P iris, Manual, I-CS
Mount Type	C mount, CS mount
Operational	
Camera Title	Displayed up to 85 characters
Day & Night	Auto(ICR)
Backlight Compensation	BLC, WDR, SSSDR
Wide Dynamic Range	120dB
Digital Noise Reduction	SSNR, WiseNR II (using AI engine)
Digital Image Stabilization	Stabilization Support(built-in gyro sensor)
Motion Detection	8ea, polygonal zones
Privacy Masking	6ea, rectangle zones - Color: Gray/Green/Red/Blue/Black/White
Gain Control	Low / Middle / High
White Balance	ATW / AWC / Manual / Indoor / Outdoor
LDC	Support
Electronic Shutter Speed	Minimum / Maximum / Anti flicker (1/5~1/12,000sec) Auto prefer shutter control based on AI engine
Video Rotation	Flip, Mirror, Hallway view(90/270)
Analytics	Classified object type : Person/Face/Vehicle/License plate Attributes : Person(Gender, Color and Bag), Face(Age, Gender, Mask and Glasses), Vehicle(Type:car/bus/truck/motorcycle/bicycle and Color) Support Bestshot per object Analytics events based on AI engine - Object detection, Virtual line*(Crossing/Direction), Virtual area*(Loitering/Intrusion/Enter/Exit), Face mask detection, Digital auto tracking, Social distancing detection Analytics events - Defocus detection, Motion detection, Tampering, Audio detection, Sound classification, Shock detection, Virtual area(Appear/Disappear)  *Some of the video analytics only works with people and vehicle detection
Business Intelligence	People counting, Queue management, Heatmap based on AI engine

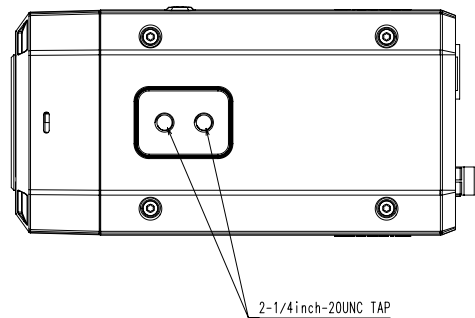
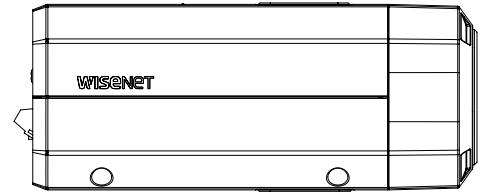
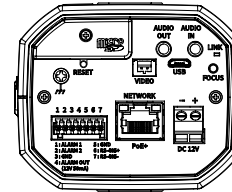
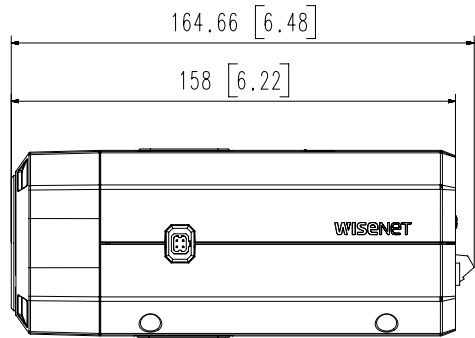
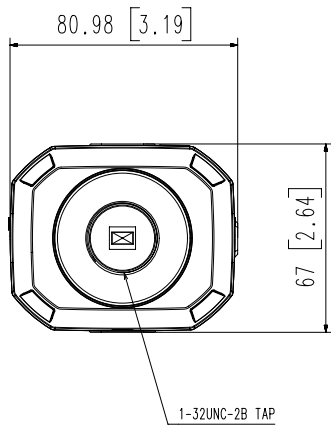
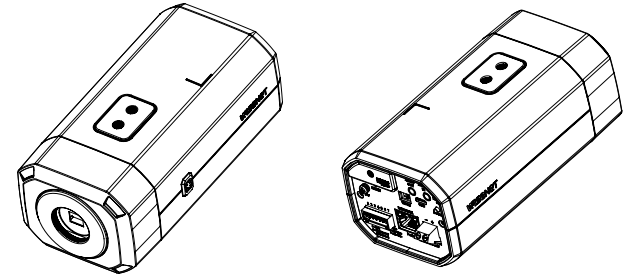
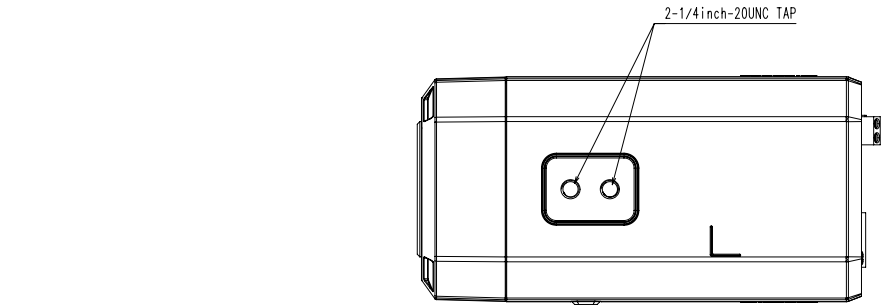
<b>Serial Interface</b>	RS-485(Samsung-T, Pelco-D/P, Panasonic, Bosch, AD, GE, Vicon, Honeywell)
<b>Alarm I/O</b>	2 configurable I/O ports, DC 12V output(Max. 50mA)
<b>Alarm Triggers</b>	Analytics, Network disconnect, Alarm input
<b>Alarm Events</b>	File upload via FTP and e-mail Notification via e-mail SD/SDHC/SDXC or NAS recording at event triggers Alarm output Handover Audio playback
<b>Audio In</b>	Selectable(mic in/line in/Built in mic) Supply voltage: 2.5VDC(4mA), Input impedance: 2K Ohm
<b>Audio Out</b>	Line out, Max.output level: 1Vrms
<b>Network</b>	
<b>Ethernet</b>	Metal shielded RJ-45(10/100/1000 BASE-T)
<b>Video Compression</b>	H.265/H.264: Main/High, MJPEG
<b>Audio Compression</b>	G.711 u-law /G.726 Selectable G.726(ADPCM) 8KHz, G.711 8KHz G.726: 16Kbps, 24Kbps, 32Kbps, 40Kbps AAC-LC: 48Kbps at 16KHz
<b>Smart Codec</b>	Manual(5ea area), WiseStream II , WiseStreamIII(using AI engine)
<b>Bitrate Control</b>	H.264/H.265: CBR or VBR MJPEG: VBR
<b>Streaming</b>	Unicast(6 users) / Multicast Multiple streaming(Up to 5 profiles)
<b>Protocol</b>	IPv4, IPv6, TCP/IP, UDP/IP, RTP(UDP), RTP(TCP), RTCP,RTSP, NTP, HTTP, HTTPS, SSL/TLS, DHCP, FTP, SMTP, ICMP, IGMP, SNMPv1/v2c/v3(MIB-2), ARP, DNS, DDNS, QoS, UPnP, Bonjour, LLDP, SRTP (TCP, UDP Unicast)
<b>Security</b>	HTTPS(SSL) Login Authentication Digest Login Authentication IP Address Filtering User access log 802.1X Authentication(EAP-TLS, EAP-LEAP) Device Certificate(Hanwha Techwin Root CA) TPM with FIPS 140-2 level2 Secure boot, Verify firmware forgery
<b>Application Programming Interface</b>	ONVIF Profile S/G/T SUNAPI(HTTP API) Wisenet open platform
<b>General</b>	
<b>Webpage Language</b>	English, French, German, Spanish, Italian, Chinese, Korean, Russian, Japanese, Swedish, Portuguese, Czech, Polish, Turkish, Dutch, Hungarian, Greek
<b>Edge Storage</b>	Micro SD/SDHC/SDXC 2slots 512GB
<b>Memory</b>	4096MB RAM, 512MB Flash
<b>Environmental &amp; Electrical</b>	
<b>Operating Temperature / Humidity</b>	-10°C ~ +55°C(+14°F ~ +131°F) / Less than 90% RH
<b>Storage Temperature / Humidity</b>	-50°C ~ +60°C(-58°F ~ +140°F) / Less than 90% RH
<b>Input Voltage</b>	PoE+(IEEE802.3at), 12VDC

<b>Power Consumption</b>	PoE+: Max 17.5W, Typ 13.7W 12VDC: Max 14W, Typ 10.6W
--------------------------	---

**Mechanical**

<b>Color / Material</b>	Body: Black / Aluminum
<b>Product Dimensions / Weight</b>	81x67x165mm(3.19x2.64x6.48"), Weight : 0.88kg(1.94lb)

- The latest product information / specification can be found at [hanwha-security.com](http://hanwha-security.com)
- Design and specifications are subject to change without notice.
- Wisenet is the proprietary brand of Hanwha Techwin, formerly known as Samsung Techwin.



No.	MODEL NAME	DATE
3	PNB-A6001	'21.03.08
2	PNB-A8001	'19.09.24
1	PNB-A9001	'19.09.24
(파생모델)		
Unit:mm[inch] SCALE:4/5 Hanwha Techwin		

© Hanwha Techwin Co.,Ltd. All rights reserved.

A2