

# DH-PFM972-6U-1/2/3

1m/2m/3m UTP CAT6 Patch Cord



## Features

- Premium quality UTP CAT6 cable, meet the national standard GB50312-2016 CAT6 channel standard;
- UTP 24AWG stranded conductors for flexibility and minimum crosstalk, 99.99% OFC(oxygen free copper) conductor material;
- RJ45-Male connectors(both sides); 50 micron gold-plated contacts for high-speed data transfer and corrosion resistance, as well as molded, snag-less strain relief boots for long lasting, durable connections;
- Environmentally friendly PVC.

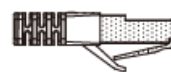
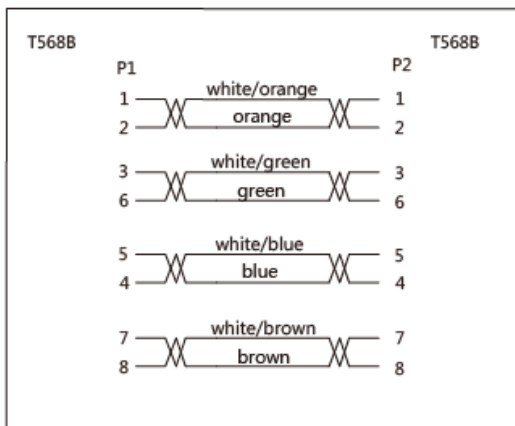
## Technical Specifications

Model		DH-PFM972-6U-1	DH-PFM972-6U-2	DH-PFM972-6U-3
Conductor	Material	OFC(oxygen free copper)		
	Composition	7*0.19±0.01mm		
	Wire gauge	24AWG 4P		
Insulation	Material	HDPE		
	Diameter	0.9mm±0.05mm		
	Color(4 Pairs)	White/Blue, Blue; White/Orange, Orange; White/green, Green; White/Brown, Brown		
	Elongation at break	≥100%		
	Peelability	No damage to insulation or conductor		
Jacket	Material	PVC		
	Diameter	6.0mm±0.40mm		
	Color	Yellow		
	Tensile strength	≥9MPa		
	Elongation at break	≥100%		
Length		1m (3.28ft)	2m (6.56ft)	3m (9.84ft)

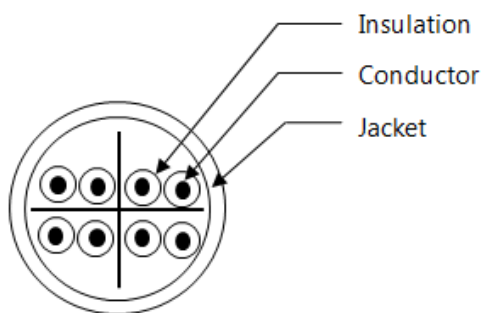
## Order Information

Type	Part Number	Description
Cabling Series	DH-PFM970-6U	UTP CAT6 information module
	PFM970-6U	UTP CAT6 information module
	DH-PFM971-1	Network wall plate(1 port)
	PFM971-1	Network wall plate(1 port)
	DH-PFM971-2	Network wall plate(2 port)
	PFM971-2	Network wall plate(2 port)
	<b>DH-PFM972-6U-1</b>	<b>1m UTP CAT6 patch cord</b>
	<b>PFM972-6U-1</b>	<b>1m UTP CAT6 patch cord</b>
	<b>DH-PFM972-6U-2</b>	<b>2m UTP CAT6 patch cord</b>
	<b>PFM972-6U-2</b>	<b>2m UTP CAT6 patch cord</b>
	<b>DH-PFM972-6U-3</b>	<b>3m UTP CAT6 patch cord</b>
	<b>PFM972-6U-3</b>	<b>3m UTP CAT6 patch cord</b>
	DH-PFM973M-6U-24	24-Port UTP CAT6 rackmount patch panel
	PFM973M-6U-24	24-Port UTP CAT6 rackmount patch panel

## Dimensions (mm/inch)



L=1m/2m/3m



## Package Information

- 1m/2m/3m UTP CAT6 patch cord DH-PFM972-6U-1/2/3 \*1