

DH-PFA108

Adapter Plate



Features

- Aesthetic design
- Material: aluminum
- Special adapter plate for 4*2MP IR dome camera

Technical Specification

Model DH-PFA108

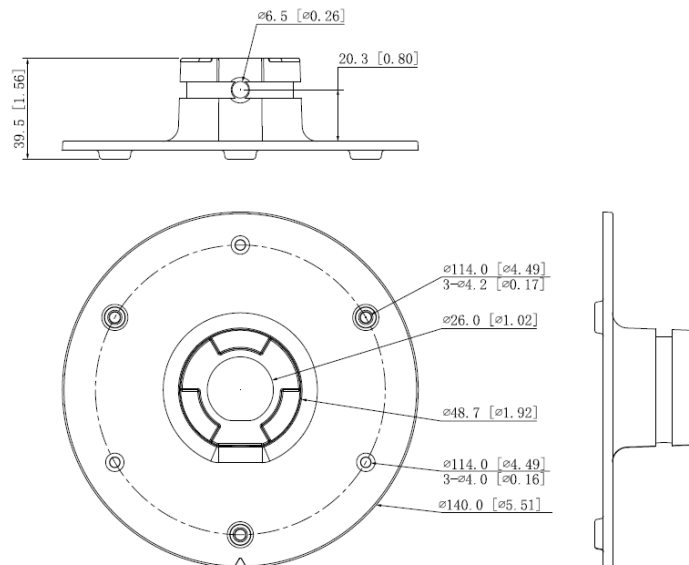
General

Material	Aluminum
Dimension (WxHxD)	φ140mmx39.5mm (φ5.51"x1.56")
Weight	0.23kg (0.51lb)
Load Bearing (front)	3kg (6.61lb)
Color	White
Operating Temperature	-40 °C ~+60 °C (-40 °F ~+140 °F)
Humidity	0~90% RH
Applicable Model	DH-PFB300C, DH-PFB303W, DH-PFA111

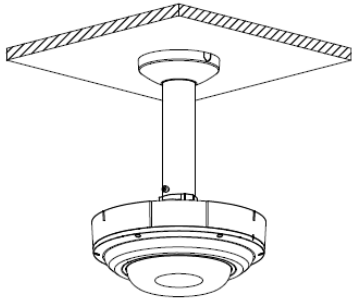
Ordering Information

Type	Part Number	Description
Camera Mount Series	DH-PFA108	Adapter plate
	DH-PFB300C	Ceiling mount bracket
	PFB300C	Ceiling mount bracket
	DH-PFB303W	Wall mount bracket
	PFB303W	Wall mount bracket
	DH-PFA111	Mount adapter
	PFA111	Mount adapter

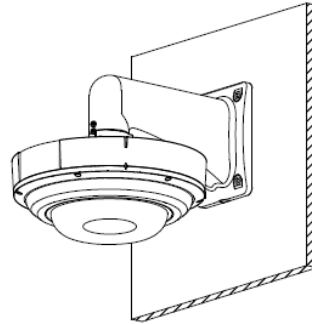
Dimension(mm/inch)



Application



Ceiling mount



Wall mount

Package Information

- Adapter plate *1
- M4x10 *3
- Wrench *1